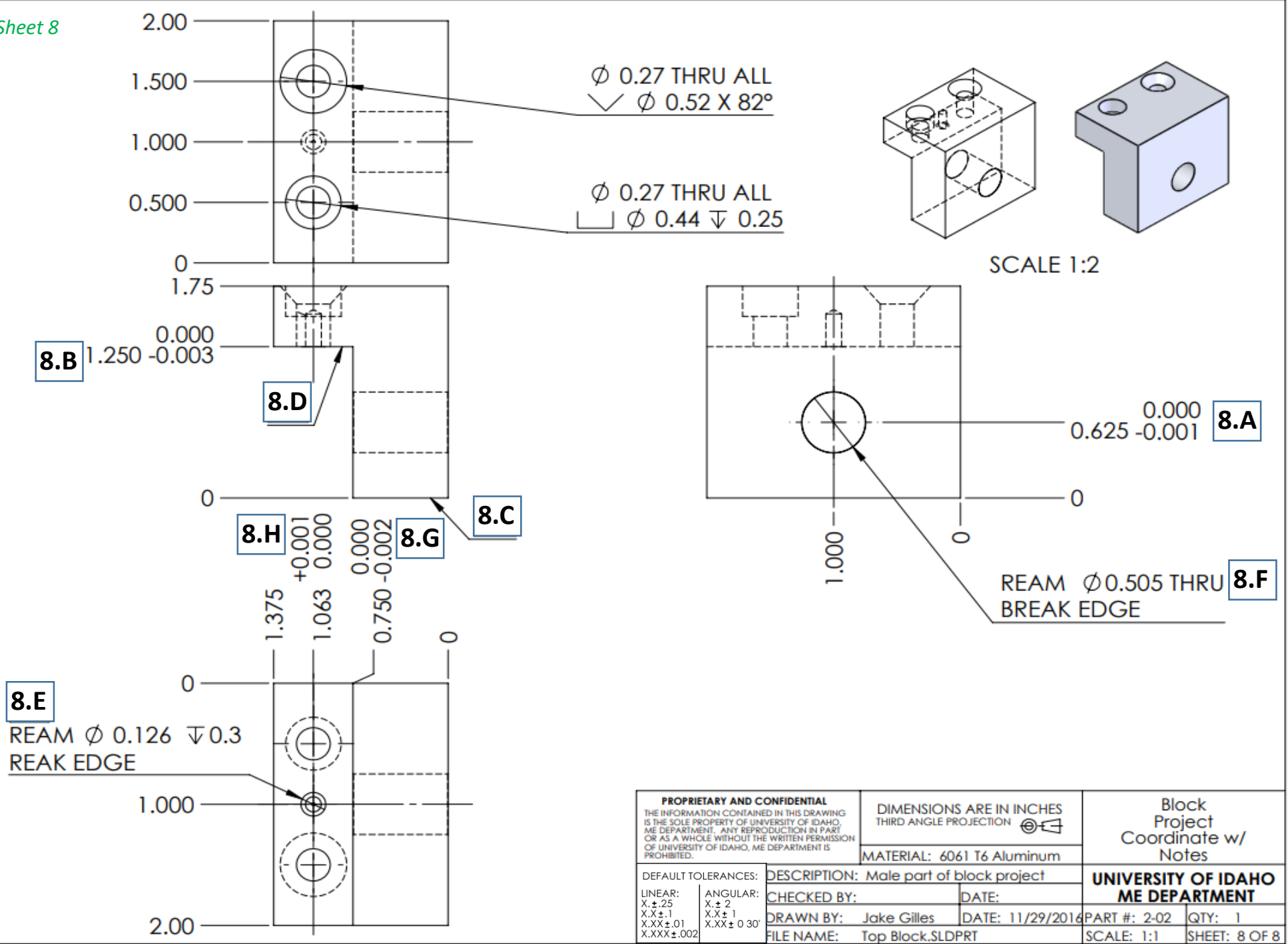


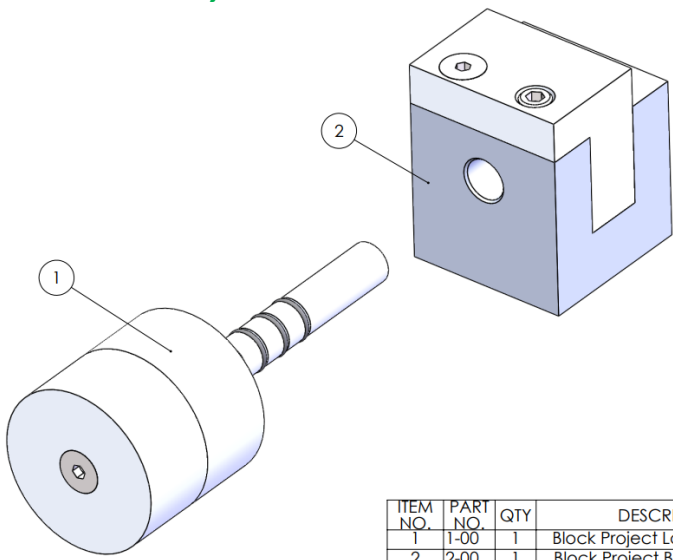
PROPRIETARY AND CONFIDENTIAL THE INFORMATION CONTAINED IN THIS DRAWING IS THE SOLE PROPERTY OF UNIVERSITY OF IDAHO, ME DEPARTMENT. ANY REPRODUCTION IN PART OR AS A WHOLE WITHOUT THE WRITTEN PERMISSION OF UNIVERSITY OF IDAHO, ME DEPARTMENT IS PROHIBITED.		DIMENSIONS ARE IN INCHES THIRD ANGLE PROJECTION		Block Project Coordinate w/ Notes	
MATERIAL: 6061 T6 Aluminum		DESCRIPTION: Bottom half of project		UNIVERSITY OF IDAHO ME DEPARTMENT	
DEFAULT TOLERANCES: LINEAR: X.±.25 X.X±.1 X.XX±.01 X.XXX±.002		ANGULAR: X.± 2 X.X± 1 X.XX± 0.30		CHECKED BY: DATE: DRAWN BY: Jake Gilles DATE: 12/1/2016 FILE NAME: Bottom Block.SLDPR	
		PART #: 2-01		QTY: 1	
		SCALE: 1:1		SHEET: 7 OF 8	



PROPRIETARY AND CONFIDENTIAL THE INFORMATION CONTAINED IN THIS DRAWING IS THE SOLE PROPERTY OF UNIVERSITY OF IDAHO, ME DEPARTMENT. ANY REPRODUCTION IN PART OR AS A WHOLE WITHOUT THE WRITTEN PERMISSION OF UNIVERSITY OF IDAHO, ME DEPARTMENT IS PROHIBITED.		DIMENSIONS ARE IN INCHES THIRD ANGLE PROJECTION		Block Project Coordinate w/ Notes	
MATERIAL: 6061 T6 Aluminum		DESCRIPTION: Male part of block project		UNIVERSITY OF IDAHO ME DEPARTMENT	
DEFAULT TOLERANCES: LINEAR: X.±.25 X.X±.1 X.XX±.01 X.XXX±.002		ANGULAR: X.± 2 X.X± 1 X.XX± 0.30		CHECKED BY: DATE: DRAWN BY: Jake Gilles DATE: 11/29/2016 FILE NAME: Top Block.SLDPR	
		PART #: 2-02		QTY: 1	
		SCALE: 1:1		SHEET: 8 OF 8	

ME301 Block Drawing Package with Notes for GD&T Exercise

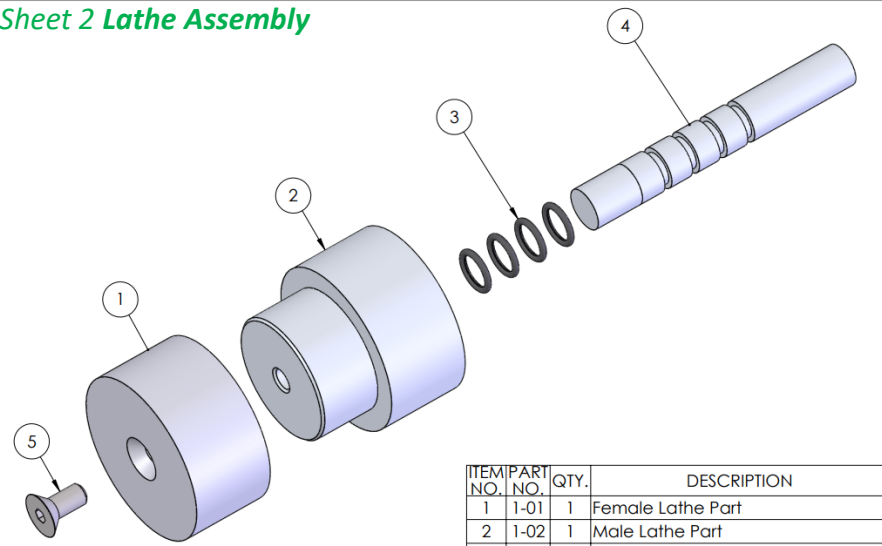
Sheet 1 Main Assembly



ITEM NO.	PART NO.	QTY	DESCRIPTION	SHEET NO.
1	1-00	1	Block Project Lathe Assembly	2
2	2-00	1	Block Project Block Assembly	6

PROPRIETARY AND CONFIDENTIAL
 DIMENSIONS ARE IN INCHES
 THIRD ANGLE PROJECTION
 Block Project Coordinate w/ Notes
 UNIVERSITY OF IDAHO ME DEPARTMENT

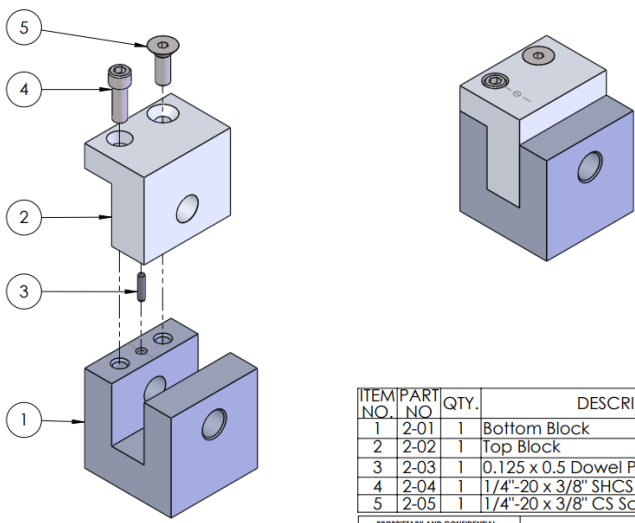
Sheet 2 Lathe Assembly



ITEM NO.	PART NO.	QTY.	DESCRIPTION	SHEET NO.
1	1-01	1	Female Lathe Part	3
2	1-02	1	Male Lathe Part	4
3	1-03	4	O-ring 2-012	—
4	1-04	1	Lathe Pin	5
5	1-05	1	1/4"-20 x 3/8" CS Screw	—

PROPRIETARY AND CONFIDENTIAL
 DIMENSIONS ARE IN INCHES
 THIRD ANGLE PROJECTION
 Block Project Coordinate w/ Notes
 UNIVERSITY OF IDAHO ME DEPARTMENT

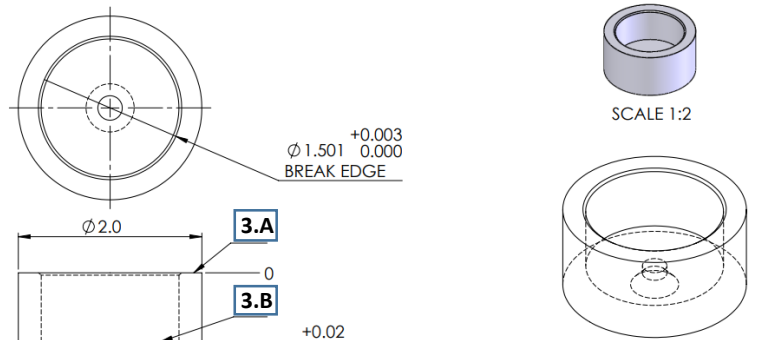
Sheet 6 Block Assembly



ITEM NO.	PART NO.	QTY.	DESCRIPTION	SHEET NO.
1	2-01	1	Bottom Block	7
2	2-02	1	Top Block	8
3	2-03	1	0.125 x 0.5 Dowel Pin	—
4	2-04	1	1/4"-20 x 3/8" SHCS	—
5	2-05	1	1/4"-20 x 3/8" CS Screw	—

PROPRIETARY AND CONFIDENTIAL
 DIMENSIONS ARE IN INCHES
 THIRD ANGLE PROJECTION
 Block Project Coordinate w/ Notes
 UNIVERSITY OF IDAHO ME DEPARTMENT

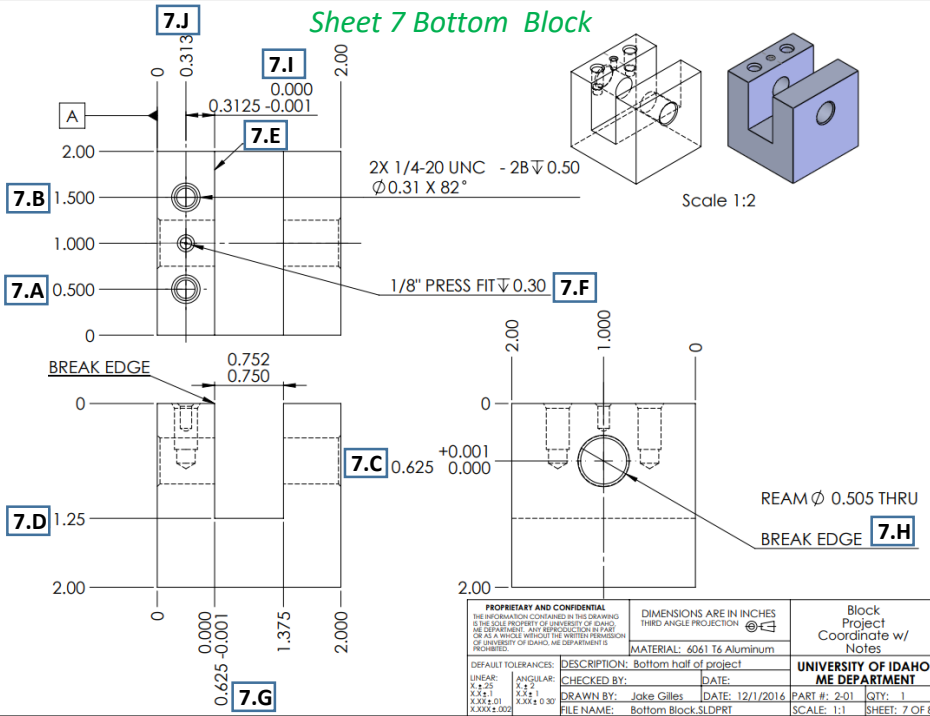
Sheet 3



ITEM NO.	PART NO.	QTY.	DESCRIPTION	SHEET NO.
1	1-01	1	Female Lathe Part	3

PROPRIETARY AND CONFIDENTIAL
 DIMENSIONS ARE IN INCHES
 THIRD ANGLE PROJECTION
 Block Project Coordinate w/ Notes
 UNIVERSITY OF IDAHO ME DEPARTMENT

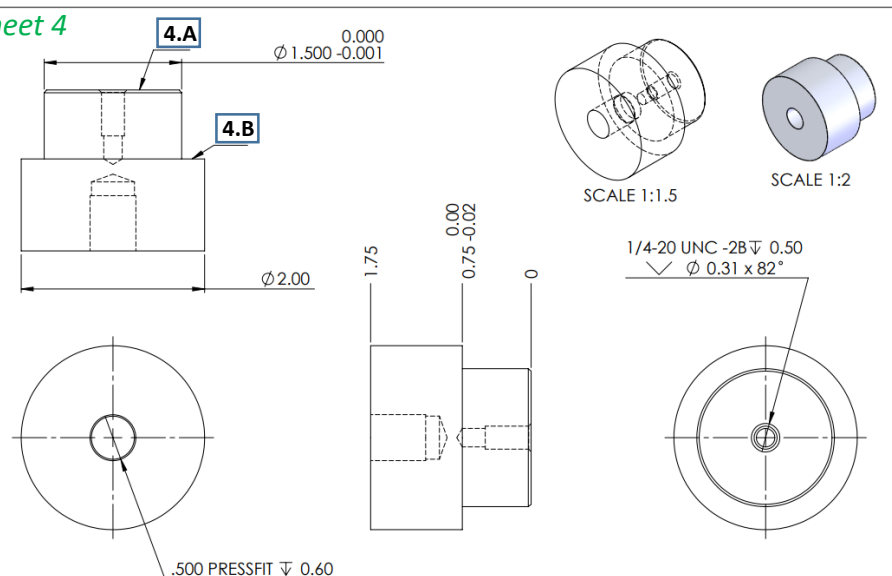
Sheet 7 Bottom Block



ITEM NO.	PART NO.	QTY.	DESCRIPTION	SHEET NO.
1	2-01	1	Bottom Block	7

PROPRIETARY AND CONFIDENTIAL
 DIMENSIONS ARE IN INCHES
 THIRD ANGLE PROJECTION
 Block Project Coordinate w/ Notes
 UNIVERSITY OF IDAHO ME DEPARTMENT

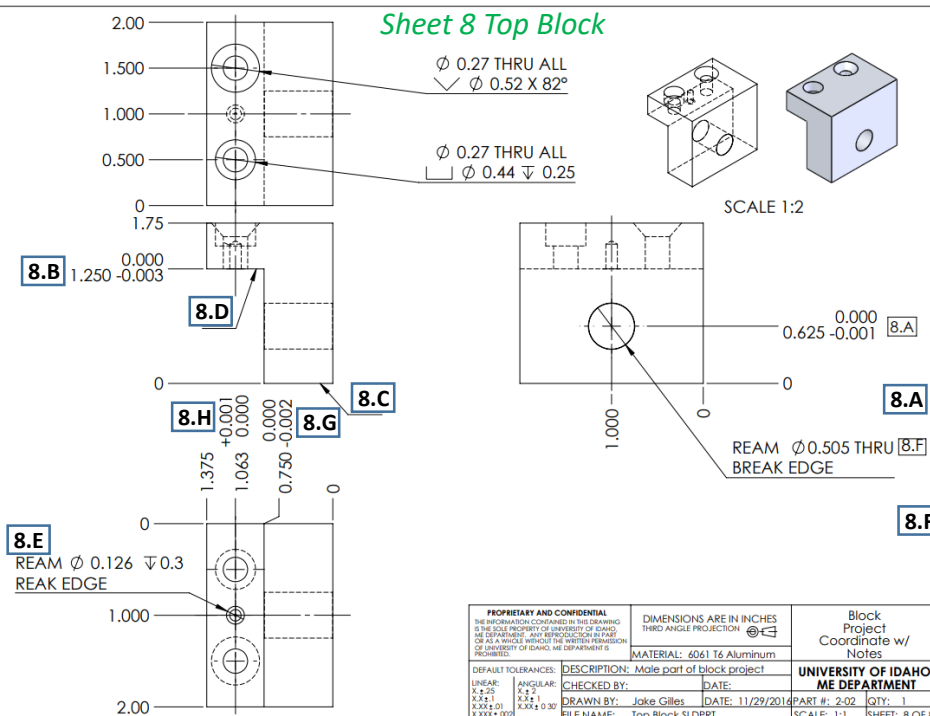
Sheet 4



ITEM NO.	PART NO.	QTY.	DESCRIPTION	SHEET NO.
1	1-02	1	Male Lathe Part	4

PROPRIETARY AND CONFIDENTIAL
 DIMENSIONS ARE IN INCHES
 THIRD ANGLE PROJECTION
 Block Project Coordinate w/ Notes
 UNIVERSITY OF IDAHO ME DEPARTMENT

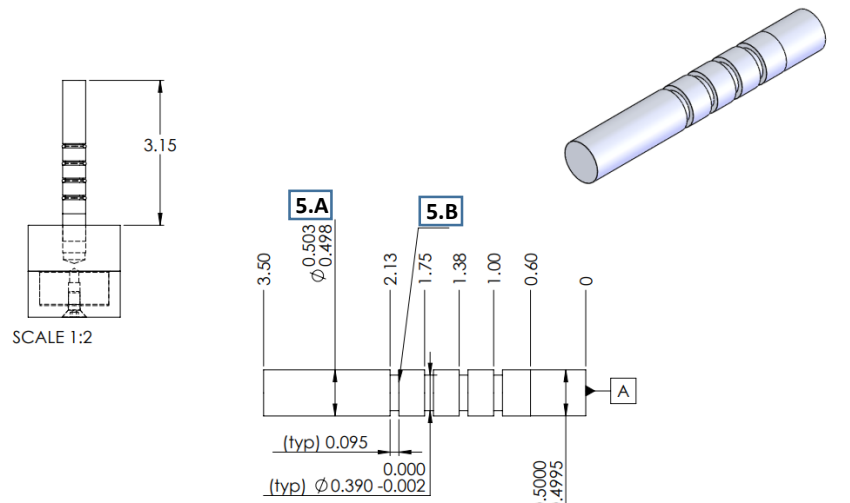
Sheet 8 Top Block



ITEM NO.	PART NO.	QTY.	DESCRIPTION	SHEET NO.
1	2-02	1	Top Block	8

PROPRIETARY AND CONFIDENTIAL
 DIMENSIONS ARE IN INCHES
 THIRD ANGLE PROJECTION
 Block Project Coordinate w/ Notes
 UNIVERSITY OF IDAHO ME DEPARTMENT

Sheet 5



ITEM NO.	PART NO.	QTY.	DESCRIPTION	SHEET NO.
1	1-04	1	Lathe Pin	5

PROPRIETARY AND CONFIDENTIAL
 DIMENSIONS ARE IN INCHES
 THIRD ANGLE PROJECTION
 Block Project Coordinate w/ Notes
 UNIVERSITY OF IDAHO ME DEPARTMENT