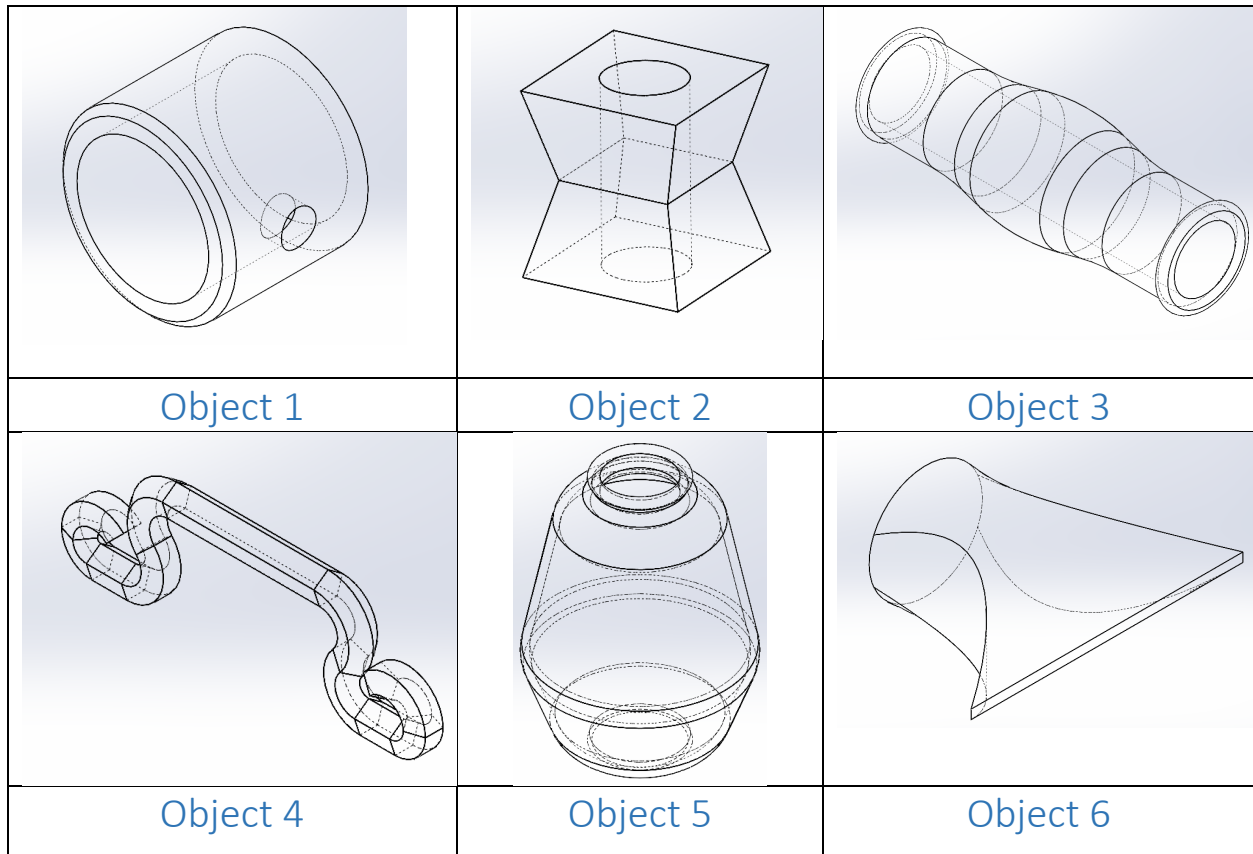


Pre-CAD Workshop

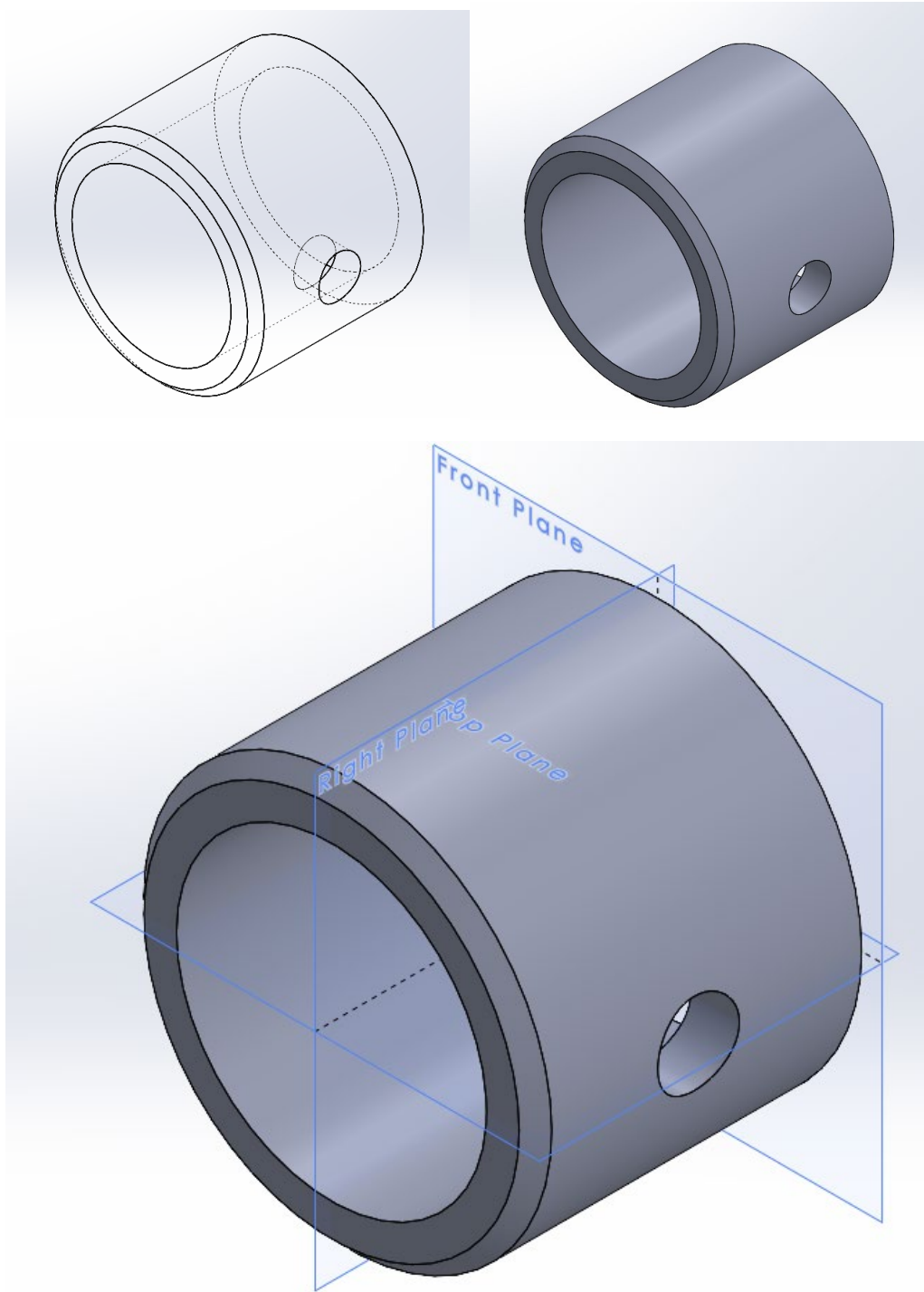
Activity Description: Select 3 objects from the list below and complete a pre-CAD plan for each using the pre-cad template provided.

(Refer to the Modeling Basics Reference Sheets for sketch tools and features tools available)

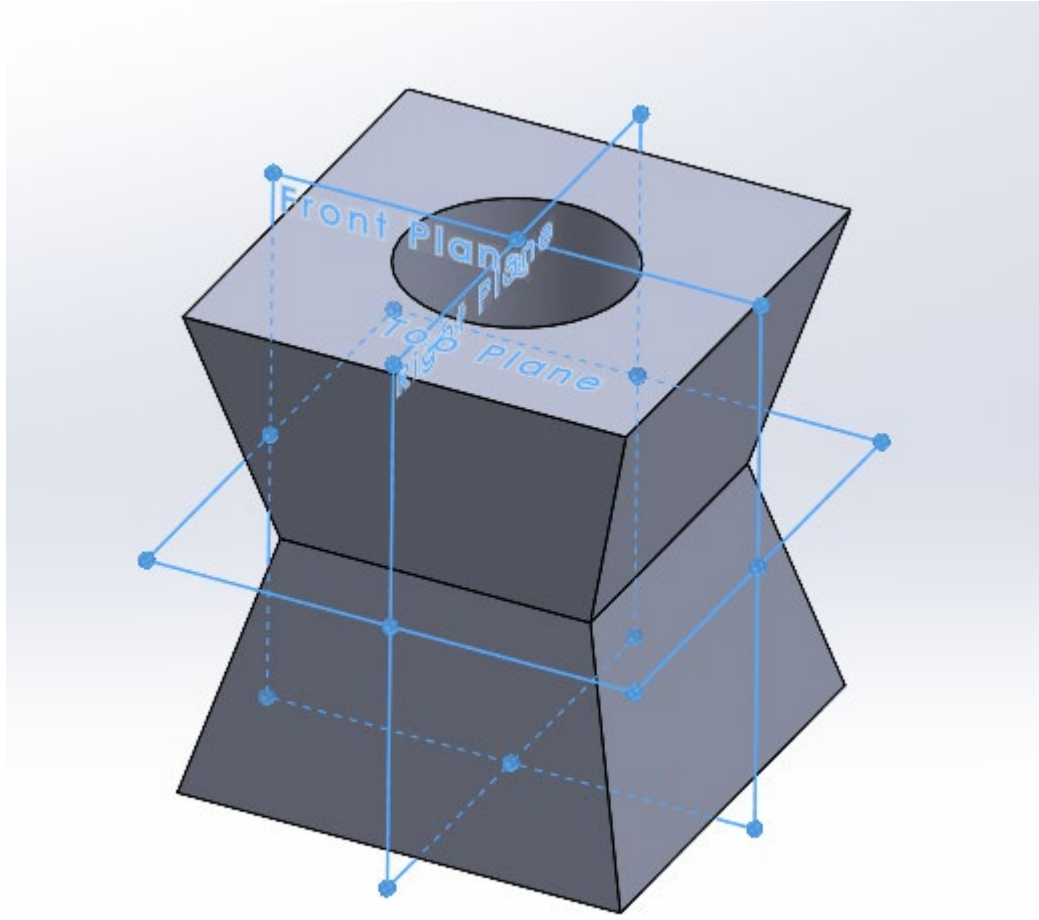
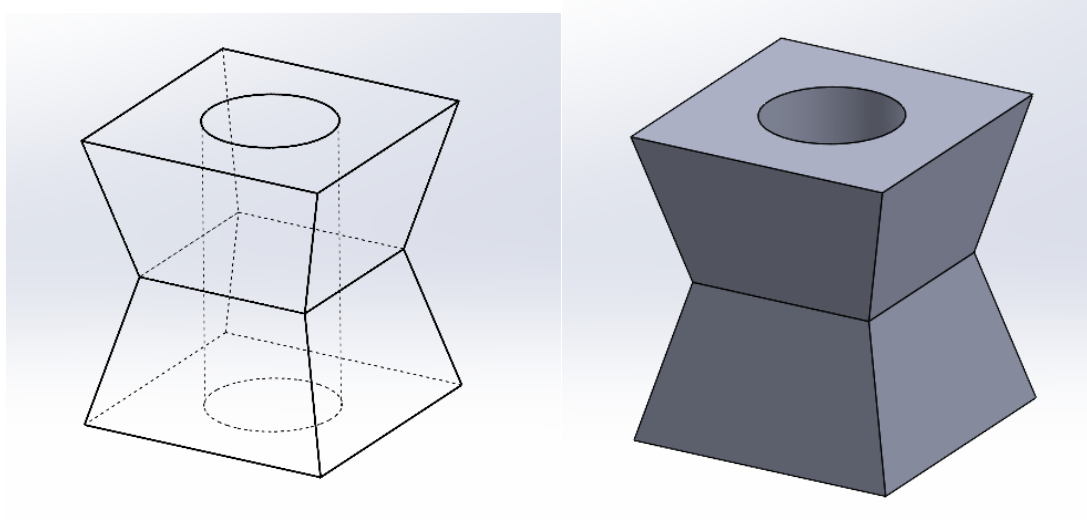


See additional pages for desired location and orientation of standard (front, top, right) planes.

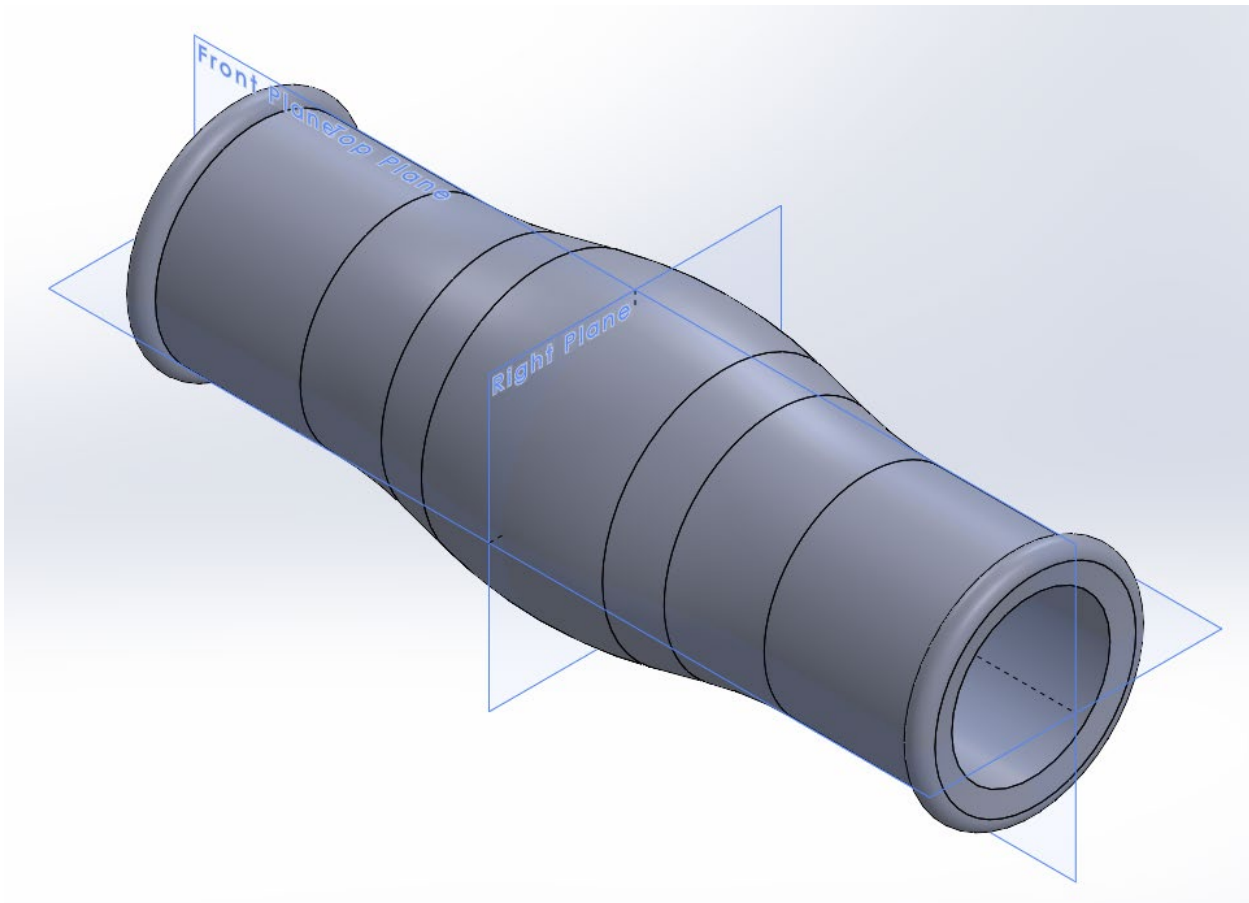
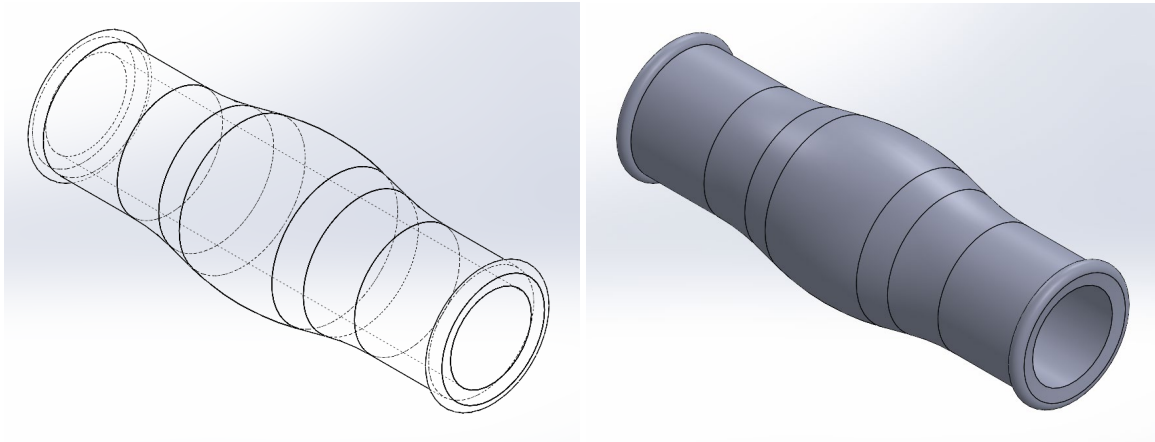
Object 1



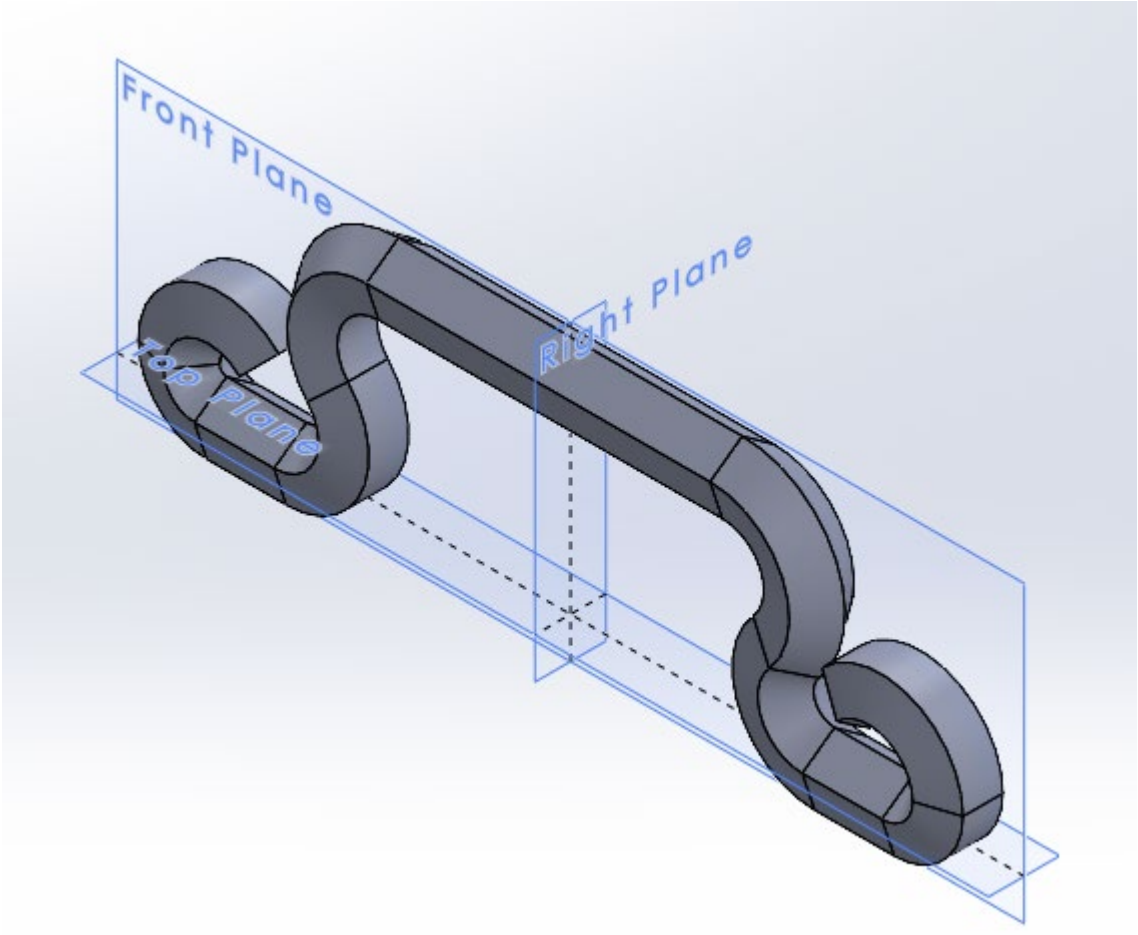
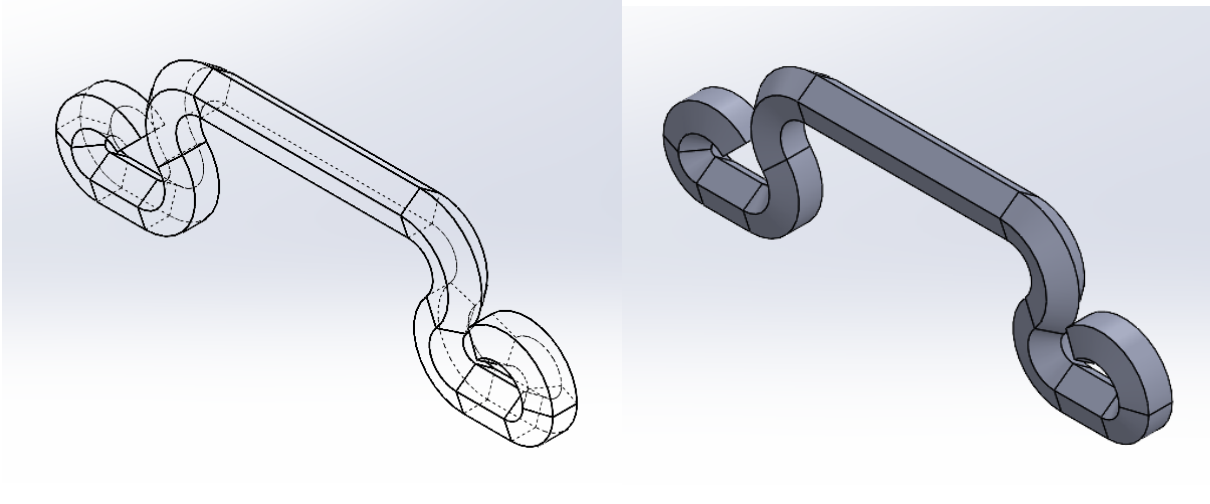
Object 2



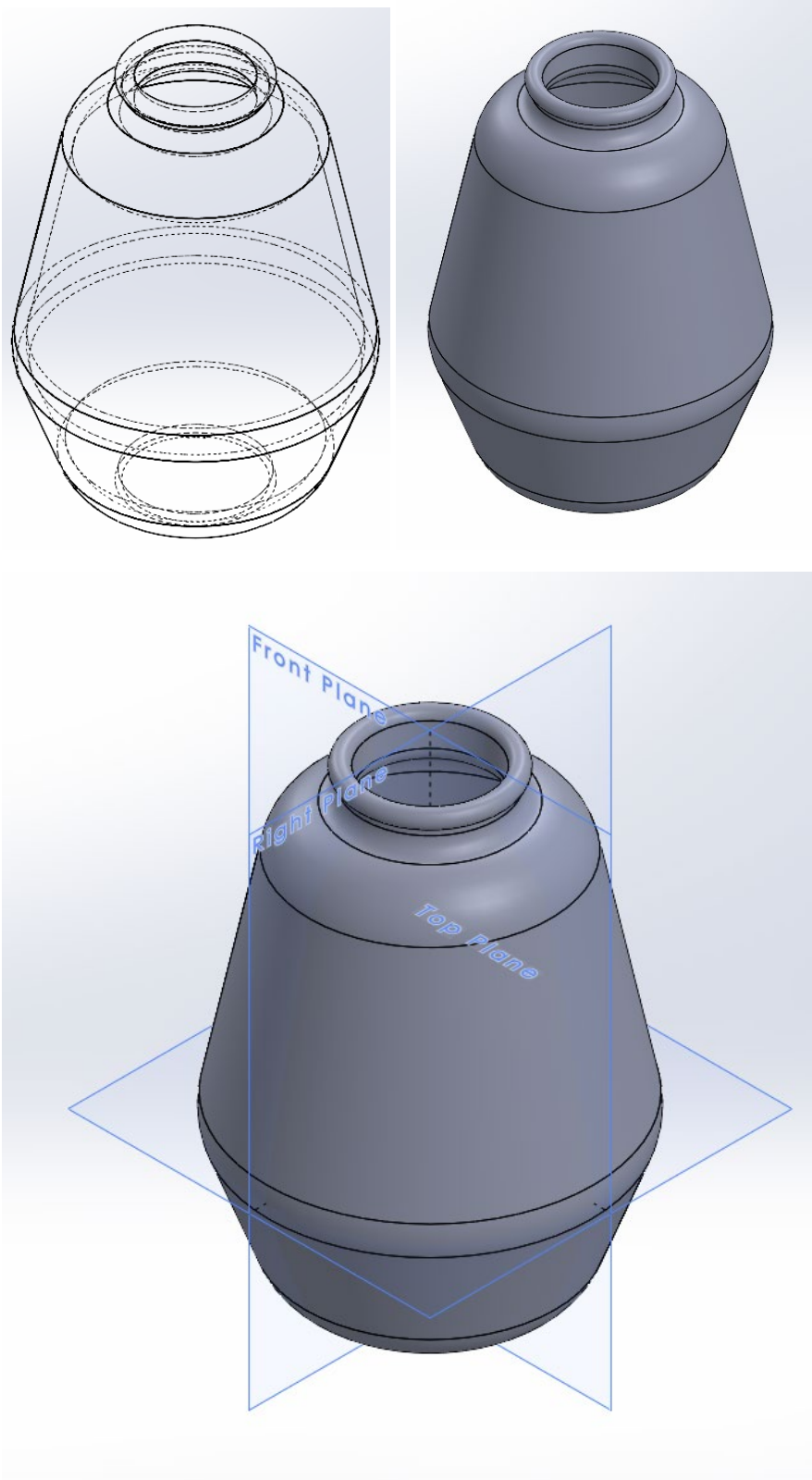
Object 3



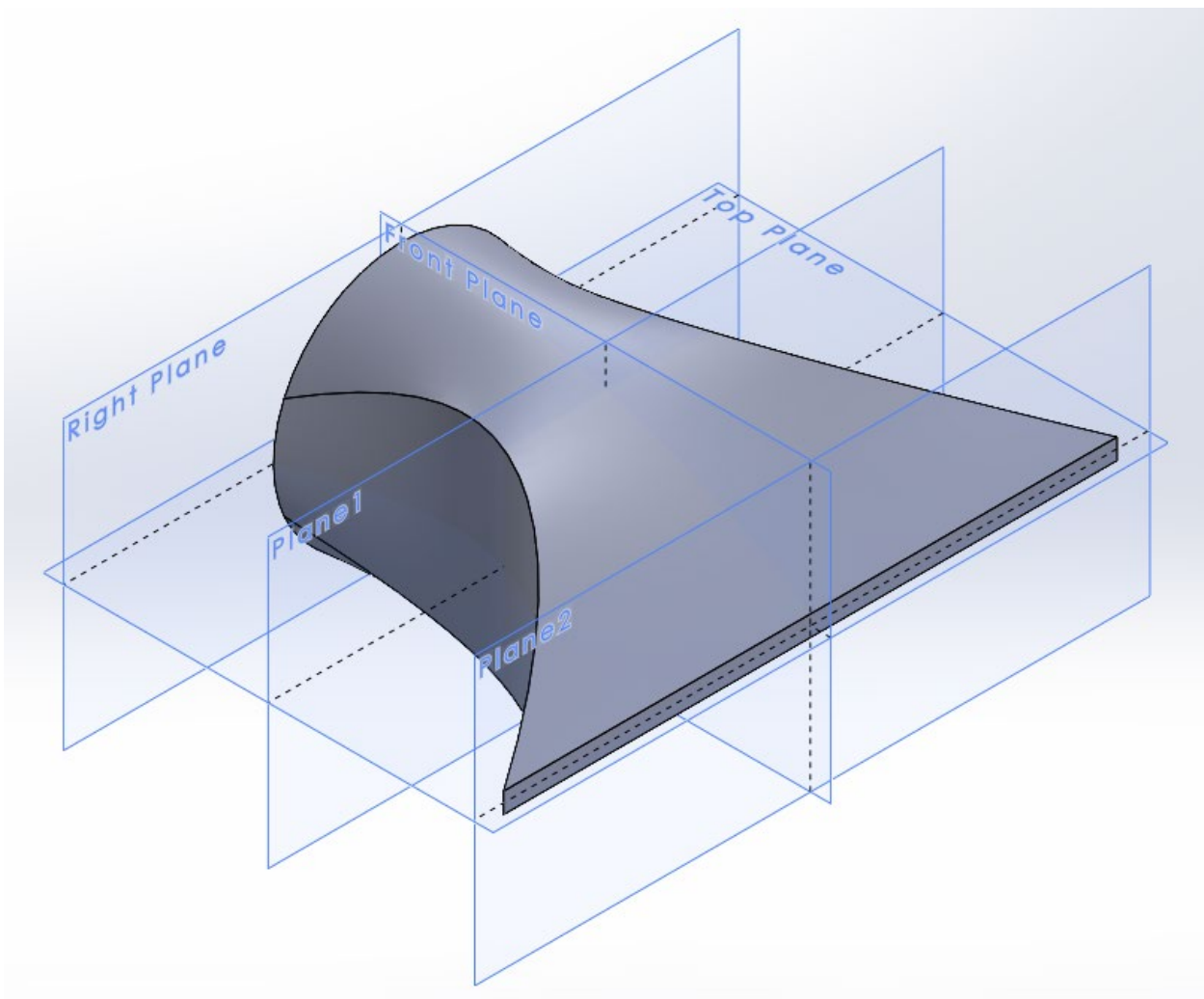
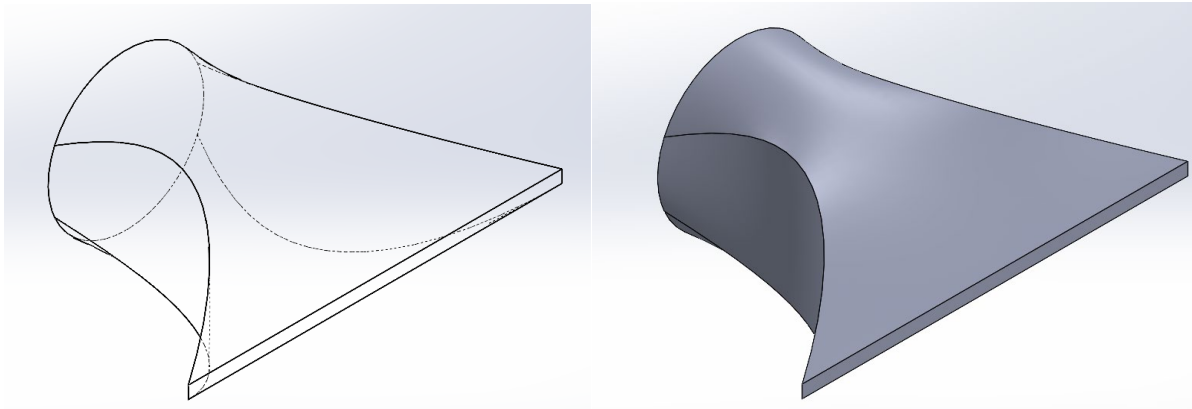
Object 4



Object 5

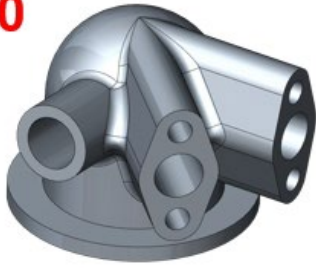


Object 6



For an extra challenge, consider what 3D Features (and order of operations) you might use to make any of the following Model Mania Parts.

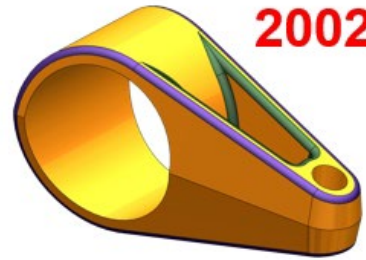
2000



2001



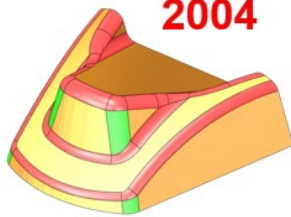
2002



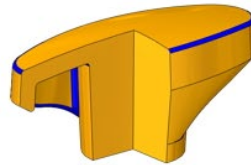
2003



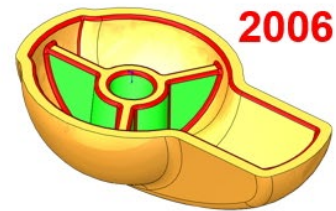
2004



2005



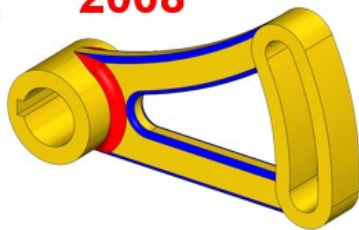
2006



2007



2008



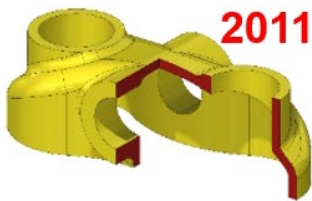
2009



2010



2011



2012



2013



2014

