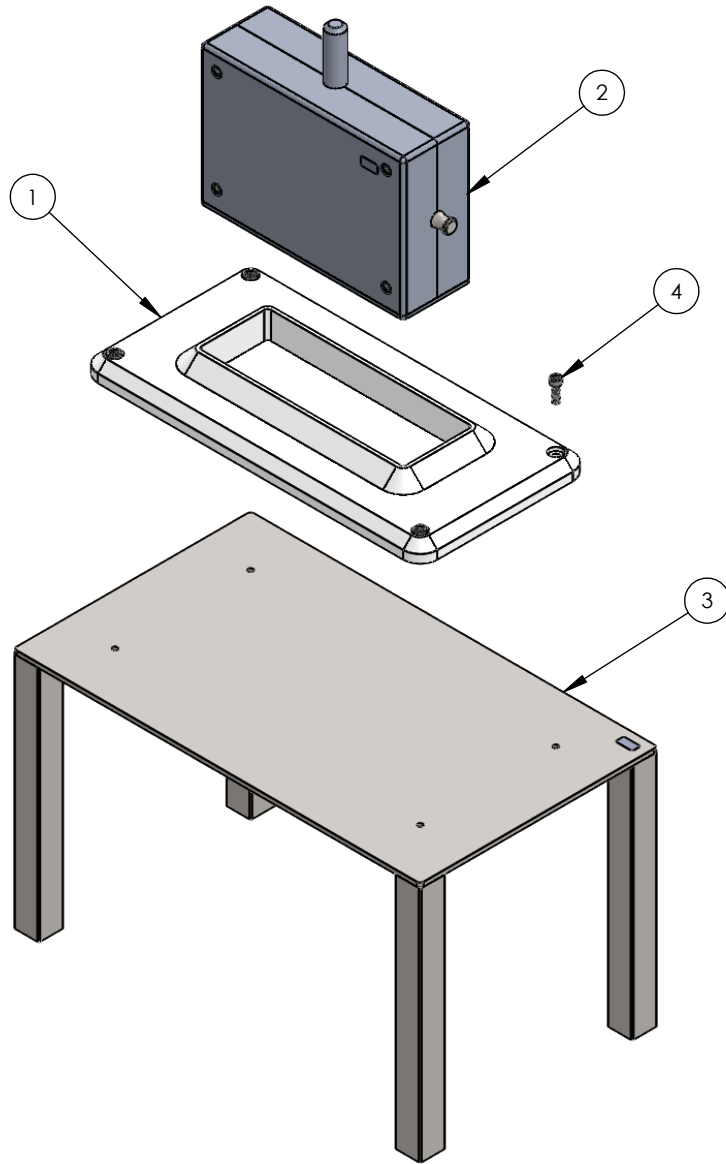


| ITEM NO | PART NUMBER    | DESCRIPTION   | VENDOR        | VENDORN0  | REV | QTY. |
|---------|----------------|---------------|---------------|-----------|-----|------|
| 1       | 00-01_BT       | BOX MOUNT     |               |           | B   | 1    |
| 2       | 01-00_BT       | BOX           |               |           | A   | 1    |
| 3       | 02-00_BT       | TABLE         |               |           | A   | 1    |
| 4       | SHCS 8-32 .5IN | SCHS 8-32 .5" | MCMaster CARR | 90128A194 |     | 4    |

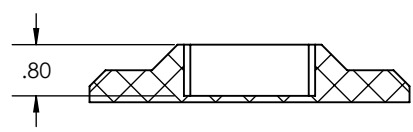
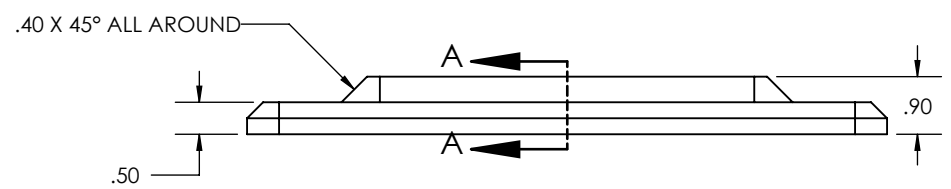
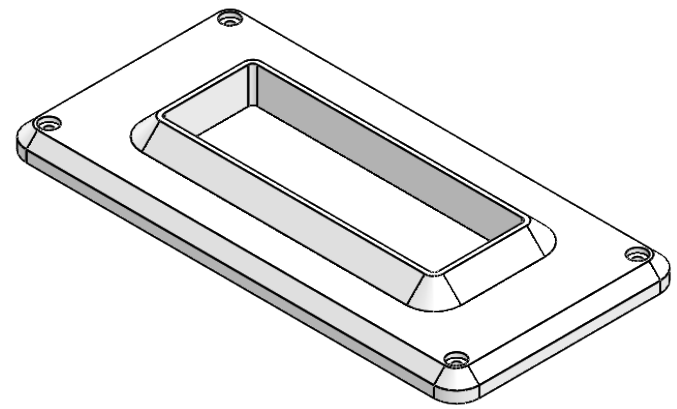
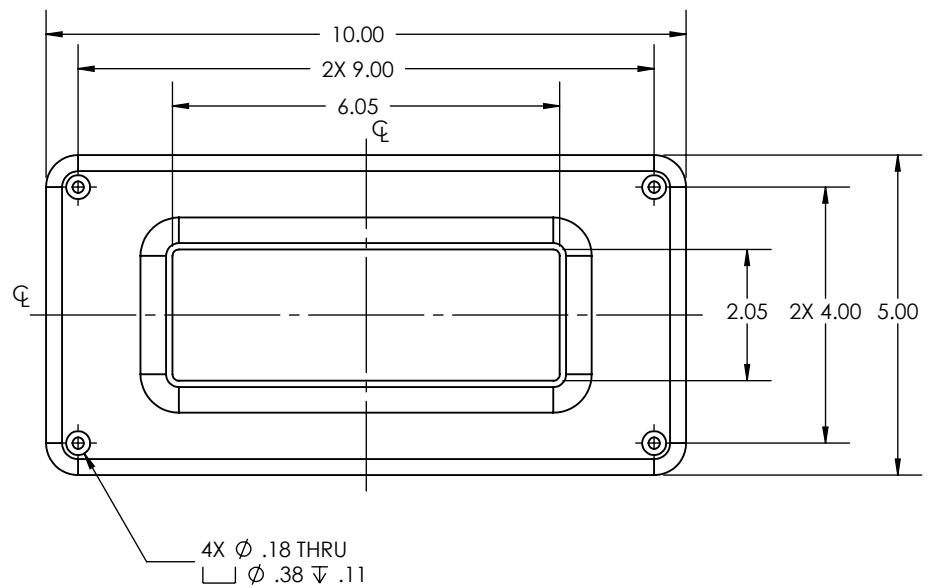
| REVISIONS |                 |         |           |        |
|-----------|-----------------|---------|-----------|--------|
| Rev       | Description     | DrawnBy | CheckedBy | Date   |
| A         | Initial Release | TWS     | RN        | 6/1/20 |



|   |  |  |  |  |
|---|--|--|--|--|
| <b>PROPRIETARY AND CONFIDENTIAL</b><br>THE INFORMATION CONTAINED IN THIS DRAWING IS THE SOLE PROPERTY OF UNIVERSITY OF IDAHO, ME DEPARTMENT. ANY REPRODUCTION IN PART OR AS A WHOLE WITHOUT THE WRITTEN PERMISSION OF UNIVERSITY OF IDAHO, ME DEPARTMENT IS PROHIBITED. |  | DIMENSIONS ARE IN INCHES<br>THIRD ANGLE PROJECTION |  | PROJECT TITLE:<br><b>Block Table</b>         |
| DEFAULT TOLERANCES:<br>LINEAR: X. ± .25<br>X.X ± .1<br>X.XX ± .01<br>X.XXX ± .002   |  | ANGULAR: X. ± 2<br>X.X ± 1<br>X.XX ± 0 30'         |  | <b>UNIVERSITY OF IDAHO<br/>ME DEPARTMENT</b> |
| DESCRIPTION: BLOCK TABLE ASSEMBLY   |  | FILE NAME/PART NUMBER:<br><b>00-00_BT</b>          |  | SHEET: 1 OF 1<br>SCALE: 1:4                  |
|   |  |  |  | REVISION:<br><b>A</b>                        |

| ITEM NO | PART NUMBER | DESCRIPTION | MATERIAL | VENDOR | VENDOR NO |
|---------|-------------|-------------|----------|--------|-----------|
| 1       | 00-01_BT    | BOX MOUNT   | ABS      |        |           |

| REVISIONS |  |         |           |        |
|-----------|--|---------|-----------|--------|
| Rev       | Description  | DrawnBy | CheckedBy | Date   |
| A         | Initial Release  | TWS     | RN        | 6/1/20 |
| B         | Added .05" to pocket height and width dimensions for better fit. | TWS     | RN        | 6/2/20 |

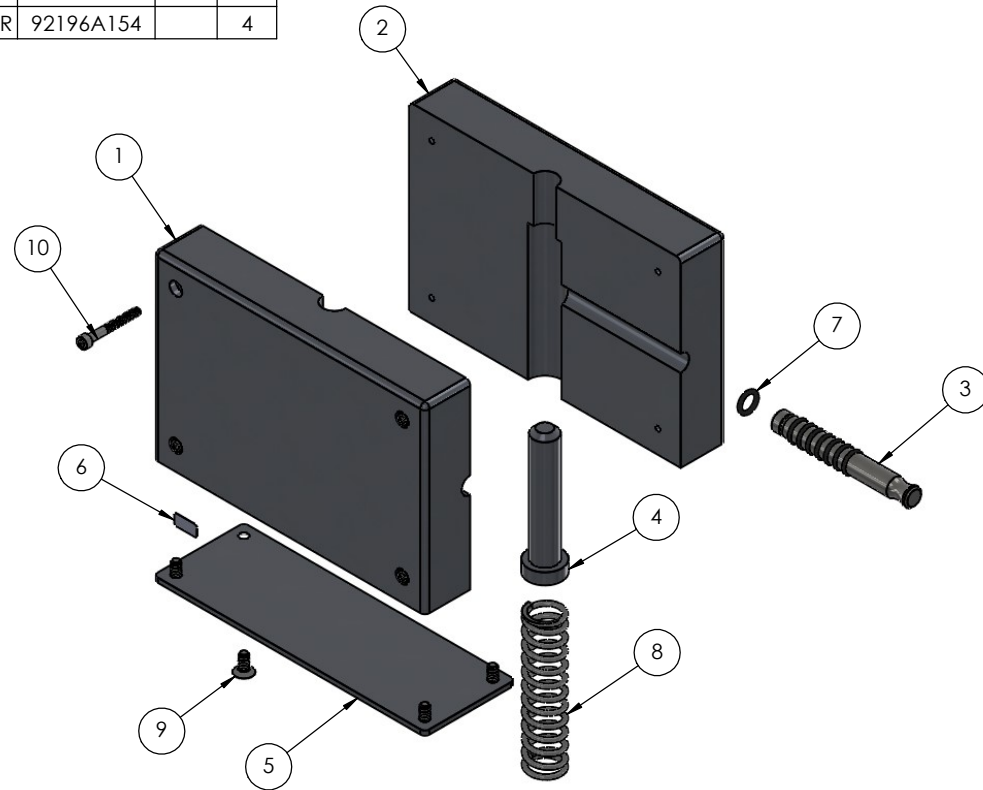


NOTES:  
 1. Part is 3D printed with 20% infill and brim style bed adhesion.  
 2. Dimensions are for reference and should not be held to standard tolerances.

|   |  |  |  |                                      |
|---|--|--|--|--------------------------------------|
| <b>PROPRIETARY AND CONFIDENTIAL</b><br>THE INFORMATION CONTAINED IN THIS DRAWING IS THE SOLE PROPERTY OF UNIVERSITY OF IDAHO, ME DEPARTMENT. ANY REPRODUCTION IN PART OR AS A WHOLE WITHOUT THE WRITTEN PERMISSION OF UNIVERSITY OF IDAHO, ME DEPARTMENT IS PROHIBITED. |  | DIMENSIONS ARE IN INCHES<br>THIRD ANGLE PROJECTION |  | PROJECT TITLE:<br><b>Block Table</b> |
| DEFAULT TOLERANCES:<br>LINEAR: X. ± .25<br>X.X ± .1<br>X.XX ± .01<br>X.XXX ± .002   |  | ANGULAR: X. ± 2<br>X.X ± 1<br>X.XX ± 0.30'         |  | UNIVERSITY OF IDAHO<br>ME DEPARTMENT |
| DESCRIPTION: BOX MOUNT  |  | FILE NAME/PART NUMBER:<br><b>00-01_BT</b>          |  | SHEET: 1 OF 1<br>SCALE: 1:3          |
|   |  |  |  | REVISION:<br><b>A</b>                |

| ITEM NO | PART NUMBER           | DESCRIPTION                | VENDOR        | VENDORNNO | REV | QTY. |
|---------|-----------------------|----------------------------|---------------|-----------|-----|------|
| 1       | 01-01_BT              | LEFT BOX HALF              |               |           | A   | 1    |
| 2       | 01-02_BT              | RIGHT BOX HALF             |               |           | A   | 1    |
| 3       | 01-03_BT              | PLUG ROD                   | MCMASTER CARR | 1263K193  | A   | 1    |
| 4       | 01-04_BT              | SPRING ROD                 |               |           | A   | 1    |
| 5       | 01-05_BT              | BOTTOM PLATE               |               |           | A   | 1    |
| 6       | SP-01_BT              | STICKER                    |               |           | A   | 1    |
| 7       | O-RING .07IN .301IN D | O-RING .07" THICK .301" ID | MCMASTER CARR | 9452K19   |     | 8    |
| 8       | SPRING .72IN D 3IN    | SPRING .72" DIA 3" LONG    | MCMASTER CARR | 9657K437  |     | 1    |
| 9       | FHCS 8-32 .375IN      | FHCS 8-32 .375" 100 DEGREE | MCMASTER CARR | 90729A211 |     | 4    |
| 10      | SHCS 6-32 1.125IN     | SHCS 6-32 1.125"           | MCMASTER CARR | 92196A154 |     | 4    |

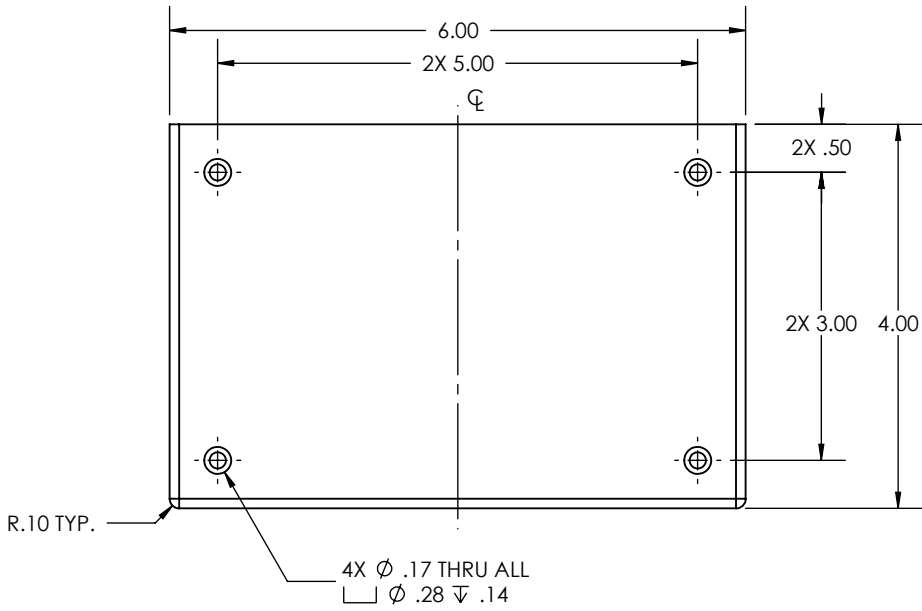
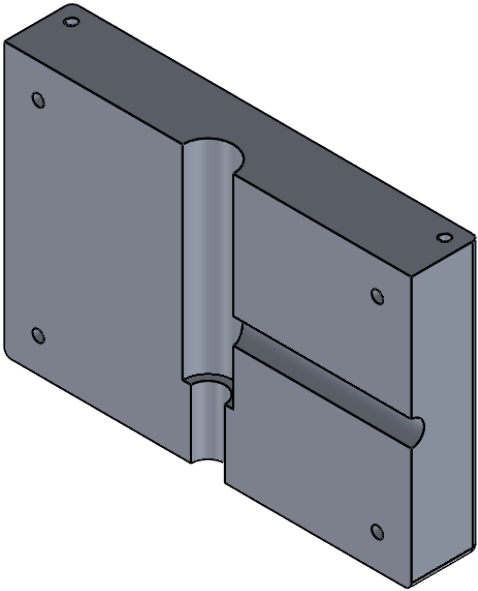
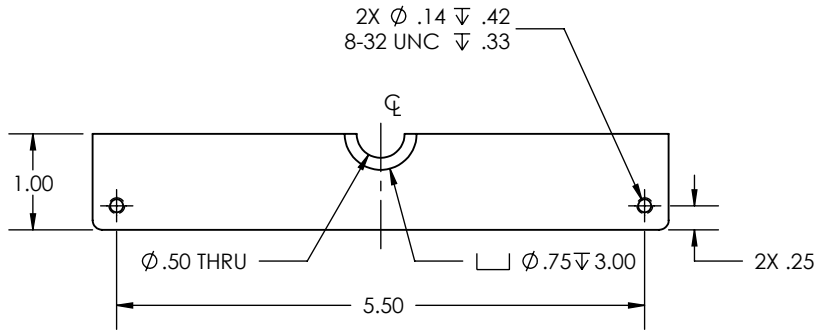
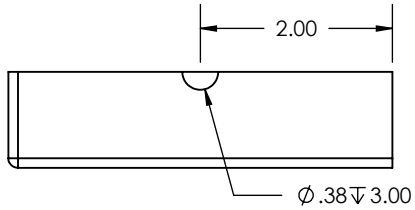
| REVISIONS |                 |         |           |        |
|-----------|-----------------|---------|-----------|--------|
| Rev       | Description     | DrawnBy | CheckedBy | Date   |
| A         | Initial Release | TWS     | RN        | 6/1/20 |



|   |  |  |  |                                      |  |
|---|--|--|--|--------------------------------------|--|
| <b>PROPRIETARY AND CONFIDENTIAL</b><br>THE INFORMATION CONTAINED IN THIS DRAWING IS THE SOLE PROPERTY OF UNIVERSITY OF IDAHO, ME DEPARTMENT. ANY REPRODUCTION IN PART OR AS A WHOLE WITHOUT THE WRITTEN PERMISSION OF UNIVERSITY OF IDAHO, ME DEPARTMENT IS PROHIBITED. |  | DIMENSIONS ARE IN INCHES<br>THIRD ANGLE PROJECTION |  | PROJECT TITLE:<br><b>Block Table</b> |  |
| DEFAULT TOLERANCES:<br>LINEAR: X.±.25<br>X.X±.1<br>X.XX±.01<br>X.XXX±.002   |  | ANGULAR: X.±2<br>X.X±1<br>X.XX±0.30'               |  | UNIVERSITY OF IDAHO<br>ME DEPARTMENT |  |
| DESCRIPTION: BOX  |  | FILE NAME/PART NUMBER:<br>01-00_BT                 |  | SHEET: 1 OF 1<br>SCALE: 1:3          |  |
|   |  |  |  | REVISION:<br><b>A</b>                |  |

| ITEM NO | PART NUMBER | DESCRIPTION   | MATERIAL      | VENDOR | VENDORN0 |
|---------|-------------|---------------|---------------|--------|----------|
| 1       | 01-01_BT    | LEFT BOX HALF | 6061 ALUMINUM |        |          |

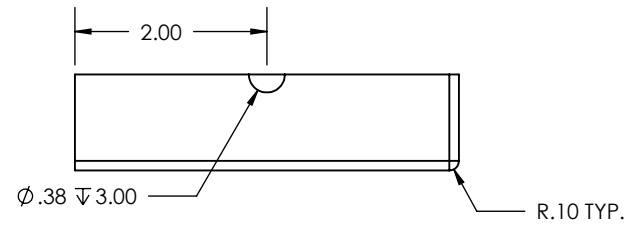
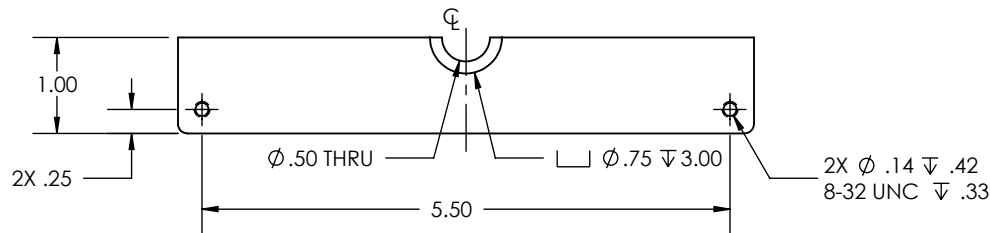
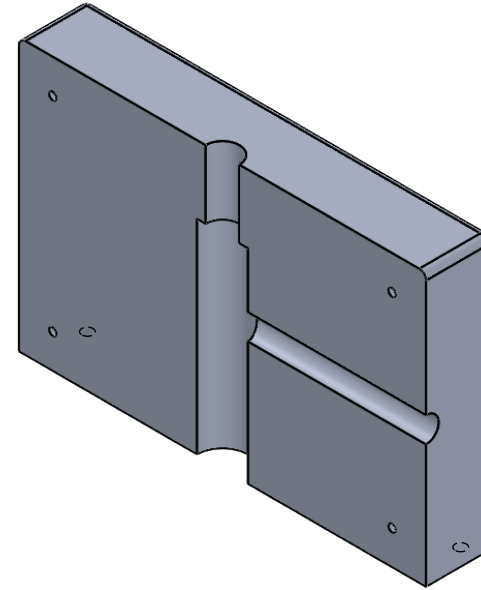
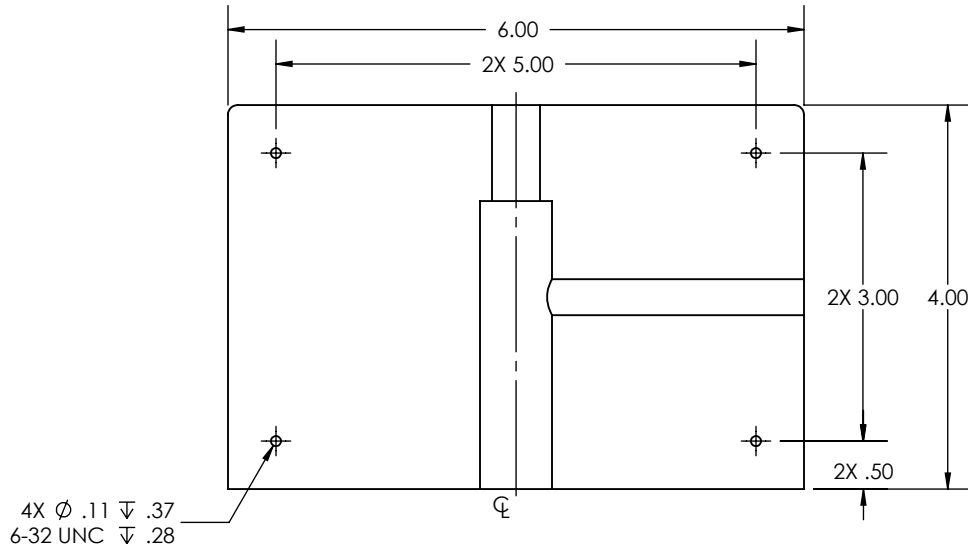
| REVISIONS |                 |         |           |        |
|-----------|-----------------|---------|-----------|--------|
| Rev       | Description     | DrawnBy | CheckedBy | Date   |
| A         | Initial Release | TWS     | RN        | 6/1/20 |



|   |  |  |  |                                      |
|---|--|--|--|--------------------------------------|
| <b>PROPRIETARY AND CONFIDENTIAL</b><br>THE INFORMATION CONTAINED IN THIS DRAWING IS THE SOLE PROPERTY OF UNIVERSITY OF IDAHO, ME DEPARTMENT. ANY REPRODUCTION IN PART OR AS A WHOLE WITHOUT THE WRITTEN PERMISSION OF UNIVERSITY OF IDAHO, ME DEPARTMENT IS PROHIBITED. |  | DIMENSIONS ARE IN INCHES<br>THIRD ANGLE PROJECTION |  | PROJECT TITLE:<br><b>Block Table</b> |
| DEFAULT TOLERANCES:<br>LINEAR: X. ± .25<br>X.X ± .1<br>X.XX ± .01<br>X.XXX ± .002   |  | ANGULAR: X. ± 2<br>X.X ± 1<br>X.XX ± 0 30'         |  | UNIVERSITY OF IDAHO<br>ME DEPARTMENT |
| DESCRIPTION: LEFT BOX HALF  |  | FILE NAME/PART NUMBER:<br><b>01-01_BT</b>          |  | SHEET: 1 OF 1<br>SCALE: 1:2          |
|   |  |  |  | REVISION:<br><b>A</b>                |

| ITEM NO | PART NUMBER | DESCRIPTION    | MATERIAL      | VENDOR | VENDORN0 |
|---------|-------------|----------------|---------------|--------|----------|
| 1       | 01-02_BT    | RIGHT BOX HALF | 6061 ALUMINUM |        |          |

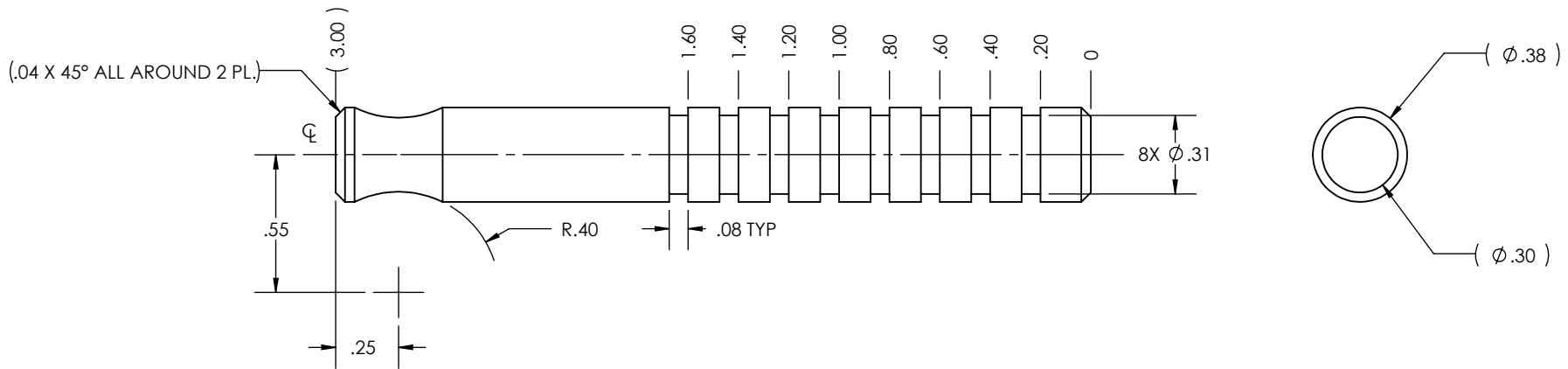
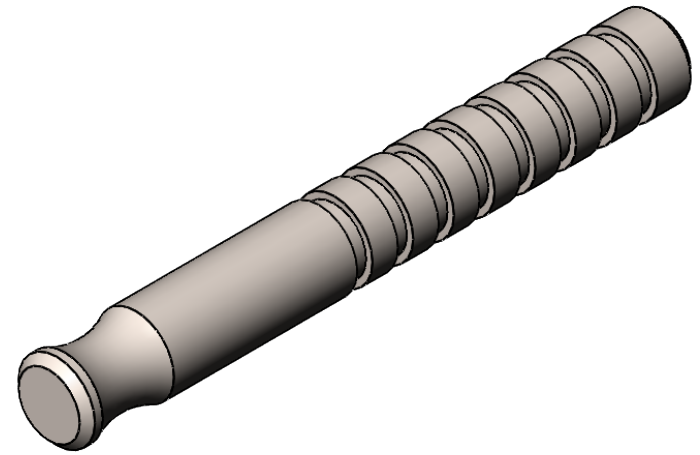
| REVISIONS |                 |         |           |        |
|-----------|-----------------|---------|-----------|--------|
| Rev       | Description     | DrawnBy | CheckedBy | Date   |
| A         | Initial Release | TWS     | RN        | 6/1/20 |



|   |  |  |  |  |
|---|--|--|--|--|
| <b>PROPRIETARY AND CONFIDENTIAL</b><br>THE INFORMATION CONTAINED IN THIS DRAWING IS THE SOLE PROPERTY OF UNIVERSITY OF IDAHO, ME DEPARTMENT. ANY REPRODUCTION IN PART OR AS A WHOLE WITHOUT THE WRITTEN PERMISSION OF UNIVERSITY OF IDAHO, ME DEPARTMENT IS PROHIBITED. |  | DIMENSIONS ARE IN INCHES<br>THIRD ANGLE PROJECTION |  | PROJECT TITLE:<br><b>Block Table</b>         |
| DEFAULT TOLERANCES:<br>LINEAR: X. ± .25<br>X.X ± .1<br>X.XX ± .01<br>X.XXX ± .002   |  | ANGULAR: X. ± 2<br>X.X ± 1<br>X.XX ± 0 30'         |  | <b>UNIVERSITY OF IDAHO<br/>ME DEPARTMENT</b> |
| DESCRIPTION: RIGHT BOX HALF   |  | FILE NAME/PART NUMBER:<br><b>01-02_BT</b>          |  | SHEET: 1 OF 1<br>SCALE: 1:2                  |
|   |  |  |  | REVISION:<br><b>A</b>                        |

| ITEM NO | PART NUMBER | DESCRIPTION | MATERIAL            | VENDOR        | VENDORNNO |
|---------|-------------|-------------|---------------------|---------------|-----------|
| 1       | 01-03_BT    | PLUG ROD    | 316 STAINLESS STEEL | MCMASTER CARR | 1263K193  |

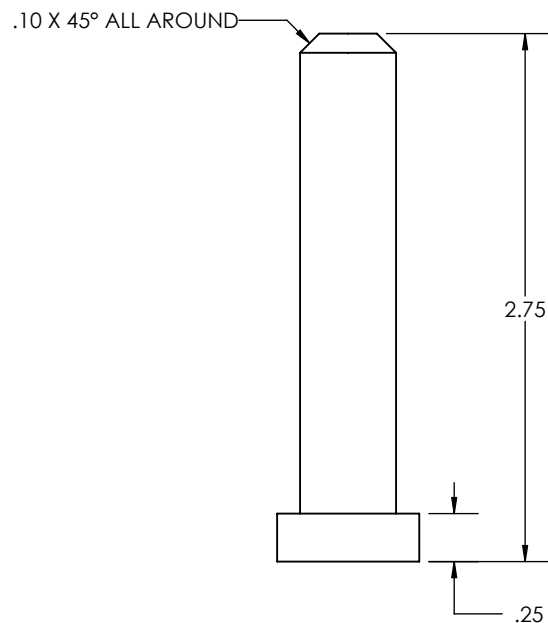
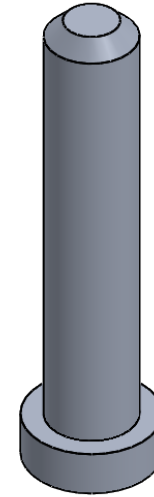
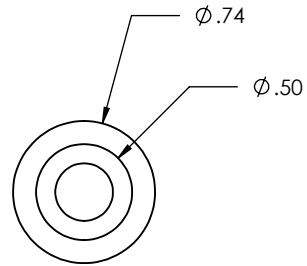
| REVISIONS |                 |         |           |        |
|-----------|-----------------|---------|-----------|--------|
| Rev       | Description     | DrawnBy | CheckedBy | Date   |
| A         | Initial Release | TWS     | RN        | 6/1/20 |



|   |  |  |  |  |  |
|---|--|--|--|--|--|
| <b>PROPRIETARY AND CONFIDENTIAL</b><br>THE INFORMATION CONTAINED IN THIS DRAWING IS THE SOLE PROPERTY OF UNIVERSITY OF IDAHO, ME DEPARTMENT. ANY REPRODUCTION IN PART OR AS A WHOLE WITHOUT THE WRITTEN PERMISSION OF UNIVERSITY OF IDAHO, ME DEPARTMENT IS PROHIBITED. |  | DIMENSIONS ARE IN INCHES<br>THIRD ANGLE PROJECTION |  | PROJECT TITLE:<br><b>Block Table</b>                               |  |
| DEFAULT TOLERANCES:<br>LINEAR:<br>X. ± .25<br>X.X ± .1<br>X.XX ± .01<br>X.XXX ± .002  |  | ANGULAR:<br>X. ± 2<br>X.X ± 1<br>X.XX ± 0 30'      |  | DESCRIPTION: PLUG ROD<br>FILE NAME/PART NUMBER:<br><b>01-03_BT</b> |  |
|   |  |  |  | UNIVERSITY OF IDAHO<br>ME DEPARTMENT                               |  |
|   |  |  |  | SHEET: 1 OF 1<br>SCALE: 3:2  |  |
|   |  |  |  | REVISION:<br><b>A</b>  |  |

| ITEM NO | PART NUMBER | DESCRIPTION | MATERIAL      | VENDOR | VENDORN0 |
|---------|-------------|-------------|---------------|--------|----------|
| 1       | 01-04_BT    | SPRING ROD  | 6061 ALUMINUM |        |          |

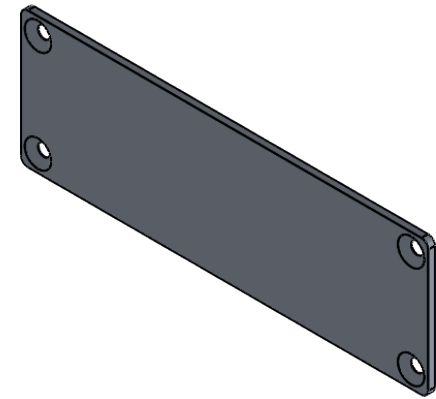
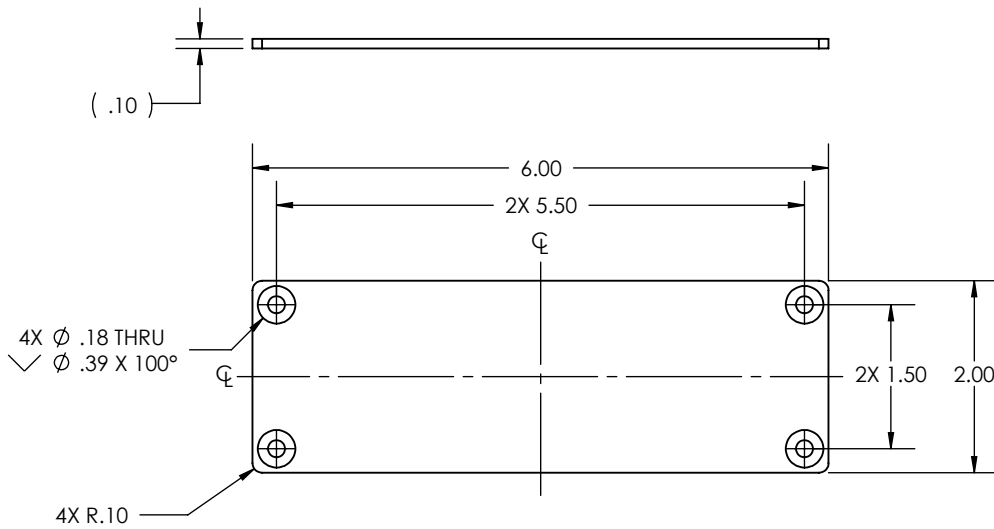
| REVISIONS |                 |         |           |        |
|-----------|-----------------|---------|-----------|--------|
| Rev       | Description     | DrawnBy | CheckedBy | Date   |
| A         | Initial Release | TWS     | RN        | 6/1/20 |



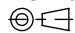
|   |  |  |  |                                      |  |
|---|--|--|--|--------------------------------------|--|
| <b>PROPRIETARY AND CONFIDENTIAL</b><br>THE INFORMATION CONTAINED IN THIS DRAWING IS THE SOLE PROPERTY OF UNIVERSITY OF IDAHO, ME DEPARTMENT. ANY REPRODUCTION IN PART OR AS A WHOLE WITHOUT THE WRITTEN PERMISSION OF UNIVERSITY OF IDAHO, ME DEPARTMENT IS PROHIBITED. |  | DIMENSIONS ARE IN INCHES<br>THIRD ANGLE PROJECTION |  | PROJECT TITLE:<br><b>Block Table</b> |  |
| DEFAULT TOLERANCES:<br>LINEAR:<br>X. ± .25<br>X.X ± .1<br>X.XX ± .01<br>X.XXX ± .002  |  | ANGULAR:<br>X. ± 2<br>X.X ± 1<br>X.XX ± 0 30'      |  | UNIVERSITY OF IDAHO<br>ME DEPARTMENT |  |
| DESCRIPTION: SPRING ROD   |  | FILE NAME/PART NUMBER:<br><b>01-04_BT</b>          |  | SHEET: 1 OF 1<br>SCALE: 1:1          |  |
|   |  |  |  | REVISION:<br><b>A</b>                |  |

| ITEM NO | PART NUMBER | DESCRIPTION  | MATERIAL      | VENDOR | VENDORNO |
|---------|-------------|--------------|---------------|--------|----------|
| 1       | 01-05_BT    | BOTTOM PLATE | 5052 ALUMINUM |        |          |

| REVISIONS |                 |         |           |        |
|-----------|-----------------|---------|-----------|--------|
| Rev       | Description     | DrawnBy | CheckedBy | Date   |
| A         | Initial Release | TWS     | RN        | 6/1/20 |



NOTES:  
1. Cut from 0.100" sheet

|   |  |  |  |                                      |  |
|---|--|--|--|--------------------------------------|--|
| <b>PROPRIETARY AND CONFIDENTIAL</b><br>THE INFORMATION CONTAINED IN THIS DRAWING IS THE SOLE PROPERTY OF UNIVERSITY OF IDAHO, ME DEPARTMENT. ANY REPRODUCTION IN PART OR AS A WHOLE WITHOUT THE WRITTEN PERMISSION OF UNIVERSITY OF IDAHO, ME DEPARTMENT IS PROHIBITED. |  | DIMENSIONS ARE IN INCHES<br>THIRD ANGLE PROJECTION  |  | PROJECT TITLE:<br><b>Block Table</b> |  |
| DEFAULT TOLERANCES:<br>LINEAR: X. ± .25<br>X.X ± .1<br>X.XX ± .01<br>X.XXX ± .002   |  | ANGULAR: X. ± 2<br>X.X ± 1<br>X.XX ± 0 30'   |  | UNIVERSITY OF IDAHO<br>ME DEPARTMENT |  |
| DESCRIPTION: BOTTOM PLATE   |  | FILE NAME/PART NUMBER:<br><b>01-05_BT</b>  |  | SHEET: 1 OF 1<br>SCALE: 1:2          |  |
|   |  |  |  | REVISION:<br><b>A</b>                |  |



4

3

2

1

| ITEM NO | PART NUMBER | DESCRIPTION                   | VENDOR        | VENDORNNO | REV | QTY. |
|---------|-------------|-------------------------------|---------------|-----------|-----|------|
| 1       | 02-01_BT    | TABLE TOP                     |               |           | A   | 1    |
| 2       | 02-02_BT    | SQUARE TUBE .75" SIDE 7" LONG | MCMASTER CARR | 6527K251  | A   | 4    |
| 3       | SP-01_BT    | STICKER                       |               |           | A   | 1    |

| REVISIONS |                 |         |           |        |
|-----------|-----------------|---------|-----------|--------|
| Rev       | Description     | DrawnBy | CheckedBy | Date   |
| A         | Initial Release | TWS     | RN        | 6/1/20 |

D

D

C

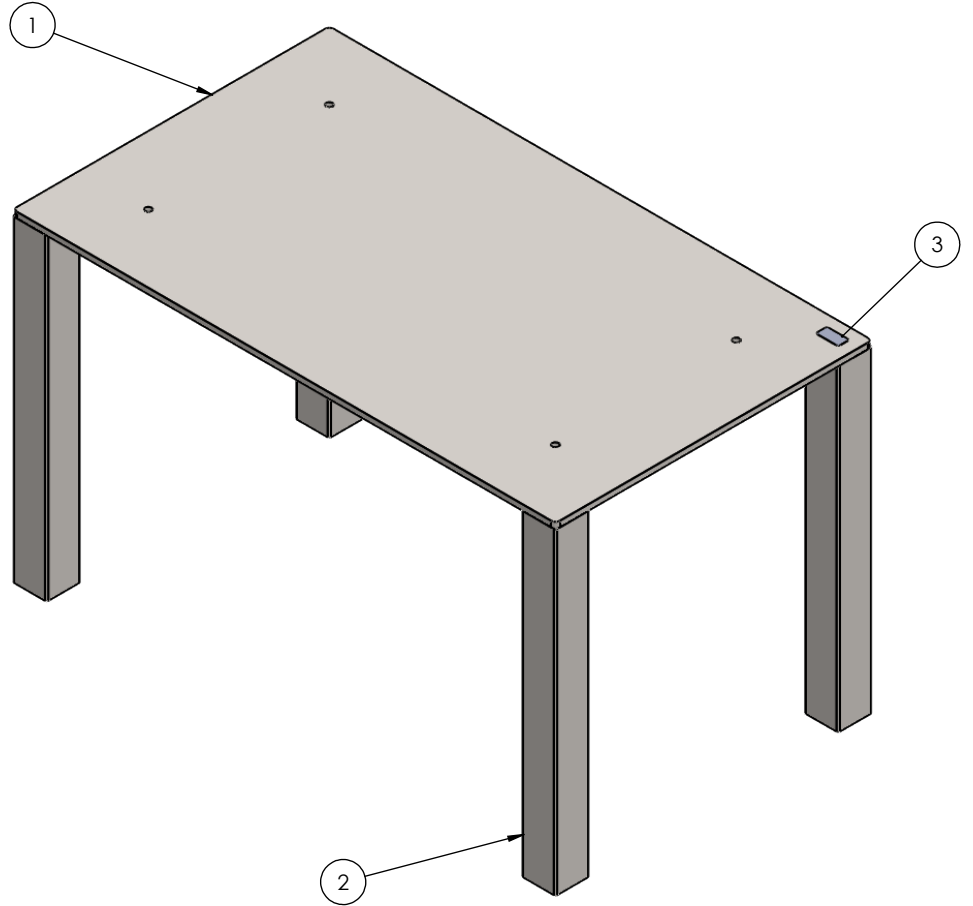
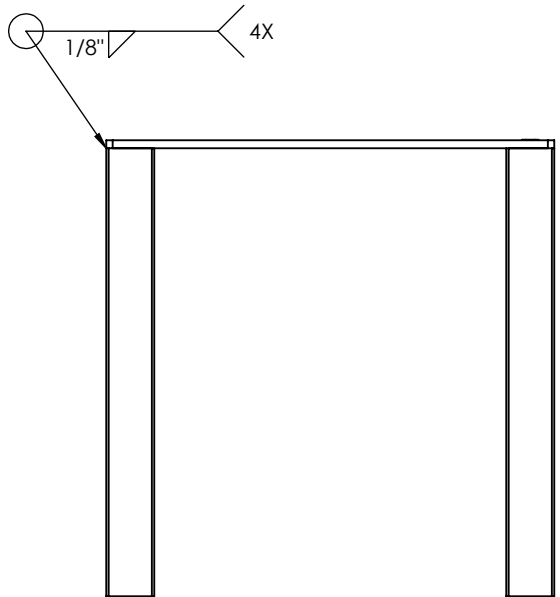
C

B

B

A

A



NOTES:  
 1. Sticker can be placed anywhere in the top right area of the table

|   |  |  |  |                                      |
|---|--|--|--|--------------------------------------|
| <b>PROPRIETARY AND CONFIDENTIAL</b><br>THE INFORMATION CONTAINED IN THIS DRAWING IS THE SOLE PROPERTY OF UNIVERSITY OF IDAHO, ME DEPARTMENT. ANY REPRODUCTION IN PART OR AS A WHOLE WITHOUT THE WRITTEN PERMISSION OF UNIVERSITY OF IDAHO, ME DEPARTMENT IS PROHIBITED. |  | DIMENSIONS ARE IN INCHES<br>THIRD ANGLE PROJECTION |  | PROJECT TITLE:<br><b>Block Table</b> |
| DEFAULT TOLERANCES:<br>LINEAR: X.±.25<br>X.X±.1<br>X.XX±.01<br>X.XXX±.002   |  | ANGULAR: X.± 2<br>X.X± 1<br>X.XX± 0 30'            |  | UNIVERSITY OF IDAHO<br>ME DEPARTMENT |
| DESCRIPTION: TABLE  |  | FILE NAME/PART NUMBER:<br><b>02-00_BT</b>          |  | SHEET: 1 OF 1<br>REVISION: <b>A</b>  |
|   |  | SCALE: 1:3   |  |                                      |

4

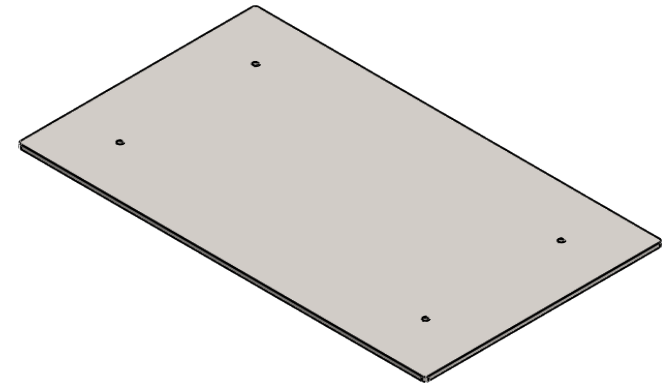
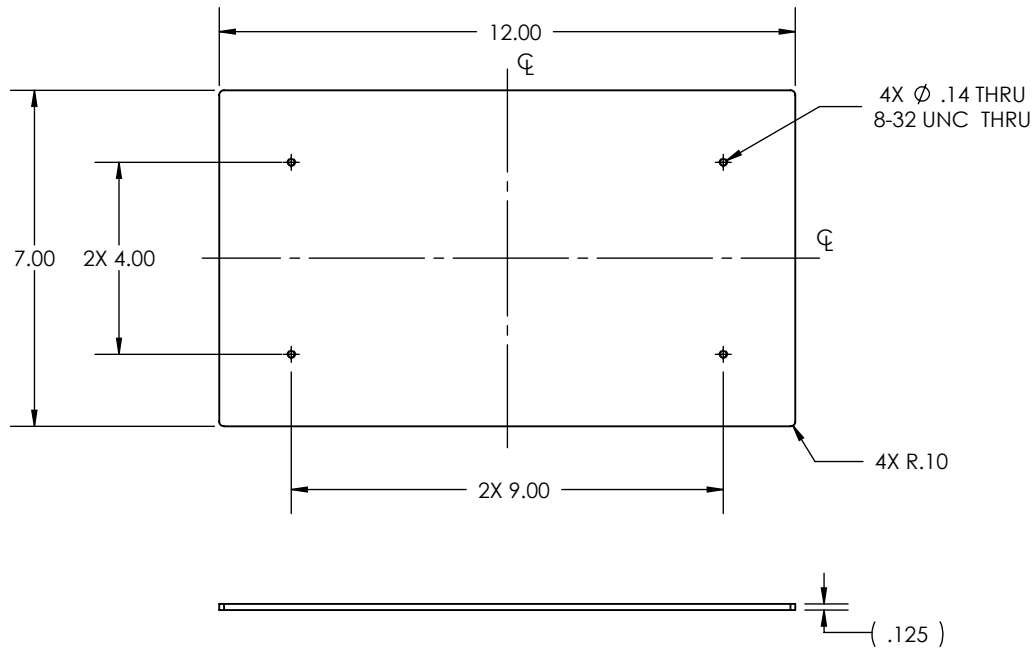
3

2

1

| ITEM NO | PART NUMBER | DESCRIPTION | MATERIAL        | VENDOR | VENDORNO |
|---------|-------------|-------------|-----------------|--------|----------|
| 1       | 02-01_BT    | TABLE TOP   | 1020 MILD STEEL |        |          |

| REVISIONS |                 |         |           |        |
|-----------|-----------------|---------|-----------|--------|
| Rev       | Description     | DrawnBy | CheckedBy | Date   |
| A         | Initial Release | TWS     | RN        | 6/1/20 |

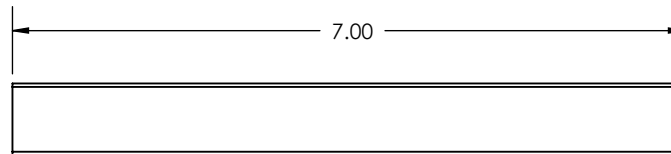
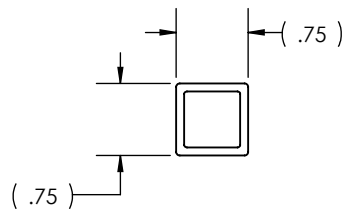
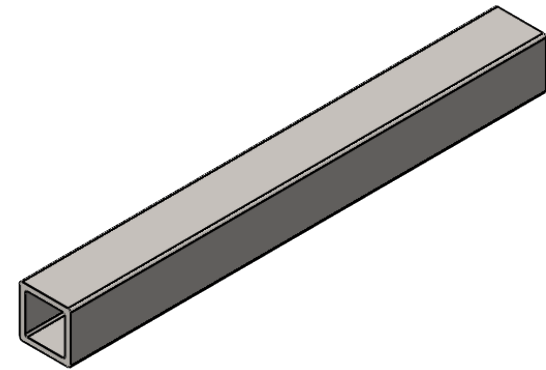


NOTES:  
1. Cut from 1/8" sheet of mild steel

|   |   |   |  |
|---|---|---|--|
| <b>PROPRIETARY AND CONFIDENTIAL</b><br>THE INFORMATION CONTAINED IN THIS DRAWING IS THE SOLE PROPERTY OF UNIVERSITY OF IDAHO, ME DEPARTMENT. ANY REPRODUCTION IN PART OR AS A WHOLE WITHOUT THE WRITTEN PERMISSION OF UNIVERSITY OF IDAHO, ME DEPARTMENT IS PROHIBITED. |   | DIMENSIONS ARE IN INCHES<br>THIRD ANGLE PROJECTION                  | PROJECT TITLE:<br><b>Block Table</b>   |
| DEFAULT TOLERANCES:<br>LINEAR:<br>X. ± .25<br>X.X ± .1<br>X.XX ± .01<br>X.XXX ± .002  | ANGULAR:<br>X. ± 2<br>X.X ± 1<br>X.XX ± 0 30' | DESCRIPTION: TABLE TOP<br>FILE NAME/PART NUMBER:<br><b>02-01_BT</b> | <b>UNIVERSITY OF IDAHO</b><br><b>ME DEPARTMENT</b><br>SHEET: 1 OF 1<br>SCALE: 1:4<br>REVISION:<br><b>A</b> |

| ITEM NO | PART NUMBER | DESCRIPTION                   | MATERIAL        | VENDOR        | VENDORN0 |
|---------|-------------|-------------------------------|-----------------|---------------|----------|
| 1       | 02-02_BT    | SQUARE TUBE .75" SIDE 7" LONG | 1020 MILD STEEL | MCMASTER CARR | 6527K251 |

| REVISIONS |                 |         |           |        |
|-----------|-----------------|---------|-----------|--------|
| Rev       | Description     | DrawnBy | CheckedBy | Date   |
| A         | Initial Release | TWS     | RN        | 6/1/20 |



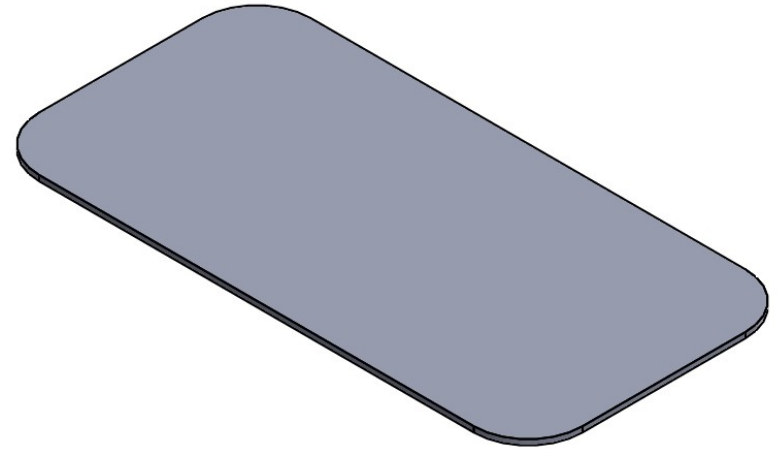
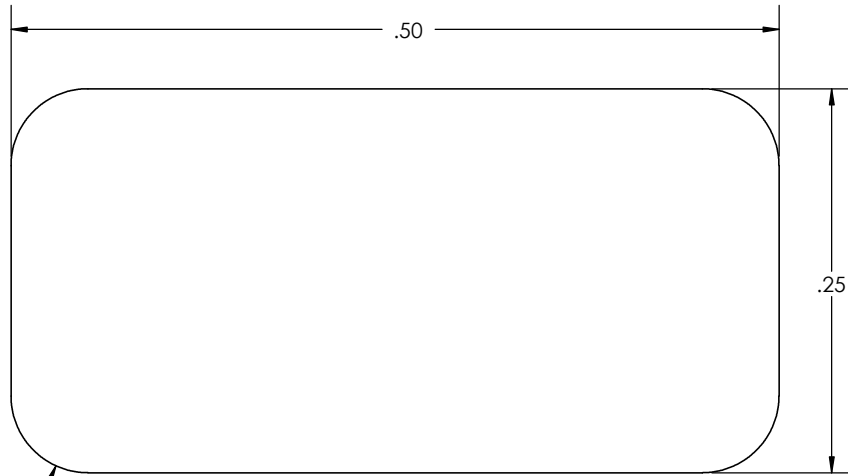
NOTES:

1. Use 3/4" square tube any low carbon steel
2. McMaster Carr part number will be a nominally 12" long stock

|   |  |   |  |
|---|--|---|--|
| <b>PROPRIETARY AND CONFIDENTIAL</b><br>THE INFORMATION CONTAINED IN THIS DRAWING IS THE SOLE PROPERTY OF UNIVERSITY OF IDAHO, ME DEPARTMENT. ANY REPRODUCTION IN PART OR AS A WHOLE WITHOUT THE WRITTEN PERMISSION OF UNIVERSITY OF IDAHO, ME DEPARTMENT IS PROHIBITED. |  | DIMENSIONS ARE IN INCHES<br>THIRD ANGLE PROJECTION                                      | PROJECT TITLE:<br><b>Block Table</b>   |
| DEFAULT TOLERANCES:<br>LINEAR: X. ± .25<br>X.X ± .1<br>X.XX ± .01<br>X.XXX ± .002   | ANGULAR: X. ± 2<br>X.X ± 1<br>X.XX ± 0.30' | DESCRIPTION: SQUARE TUBE .75" SIDE 7" LONG<br>FILE NAME/PART NUMBER:<br><b>02-02_BT</b> | <b>UNIVERSITY OF IDAHO</b><br><b>ME DEPARTMENT</b><br>SHEET: 1 OF 1<br>SCALE: 1:2<br>REVISION:<br><b>A</b> |

| ITEM NO | PART NUMBER | DESCRIPTION | MATERIAL | VENDOR | VENDORNNO |
|---------|-------------|-------------|----------|--------|-----------|
| 1       | SP-01_BT    | STICKER     | MYLAR    |        |           |

| REVISIONS |                 |         |           |        |
|-----------|-----------------|---------|-----------|--------|
| Rev       | Description     | DrawnBy | CheckedBy | Date   |
| A         | Initial Release | TWS     | RN        | 6/1/20 |



|   |  |  |  |  |
|---|--|--|--|--|
| <b>PROPRIETARY AND CONFIDENTIAL</b><br>THE INFORMATION CONTAINED IN THIS DRAWING IS THE SOLE PROPERTY OF UNIVERSITY OF IDAHO, ME DEPARTMENT. ANY REPRODUCTION IN PART OR AS A WHOLE WITHOUT THE WRITTEN PERMISSION OF UNIVERSITY OF IDAHO, ME DEPARTMENT IS PROHIBITED. |  | DIMENSIONS ARE IN INCHES<br>THIRD ANGLE PROJECTION |  | PROJECT TITLE:<br><b>Block Table</b>         |
| DEFAULT TOLERANCES:<br>LINEAR:<br>X, ±.25<br>X.X ±.1<br>X.XX ±.01<br>X.XXX ±.002  |  | ANGULAR:<br>X, ± 2<br>X.X ± 1<br>X.XX ± 0.30'      |  | <b>UNIVERSITY OF IDAHO<br/>ME DEPARTMENT</b> |
| DESCRIPTION: STICKER  |  | FILE NAME/PART NUMBER:<br><b>SP-01_BT</b>          |  | SHEET: 1 OF 1<br>REVISION: <b>A</b>          |
|   |  |  |  | SCALE: 8:1                                   |

NOTES:  
1. Use 0.010" adhesive backed mylar w/ clear finish