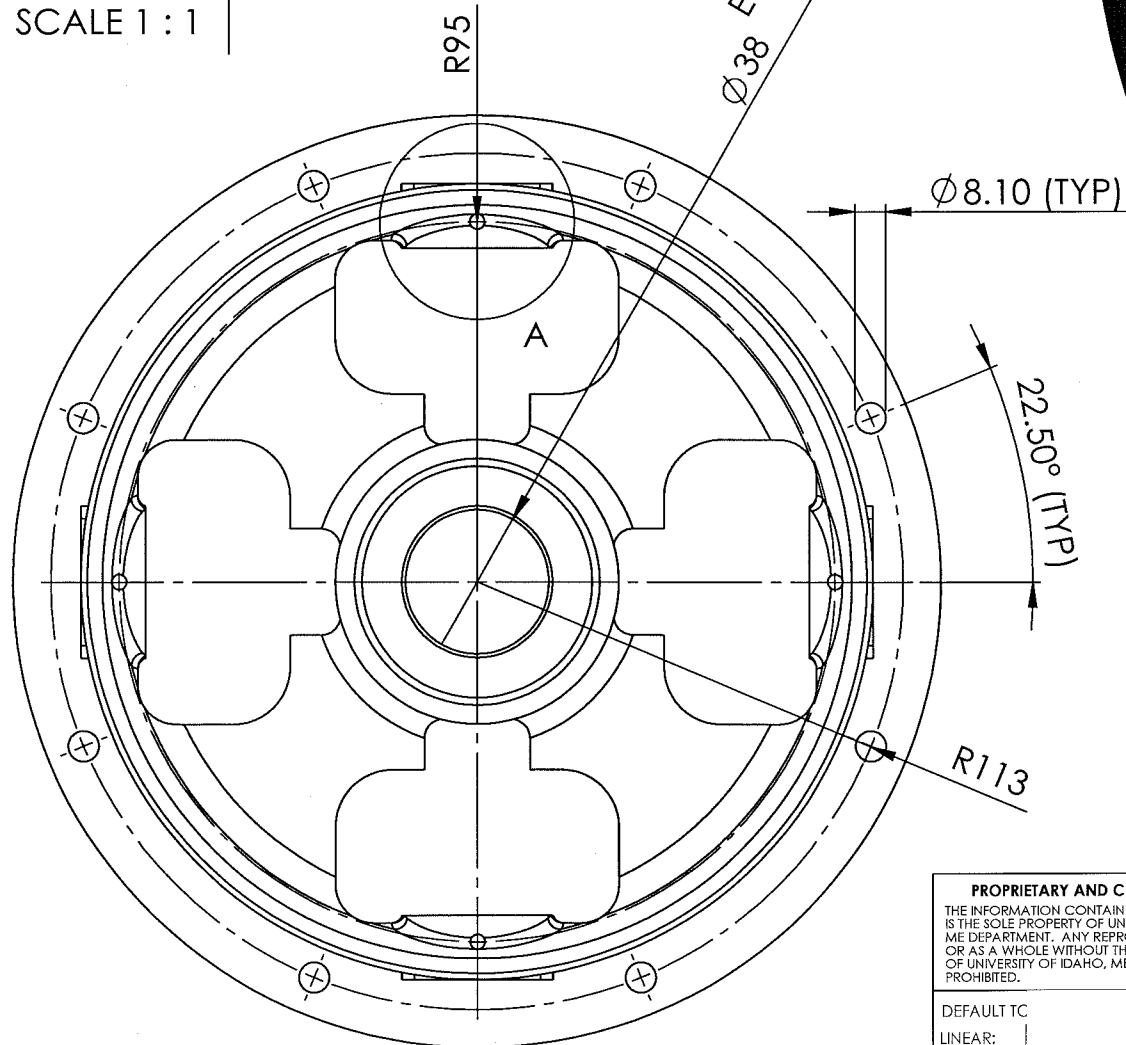


DETAIL A
SCALE 1 : 1



SCALE 1 : 2



SCALE 1 : 2

PROPRIETARY AND CONFIDENTIAL

THE INFORMATION CONTAINED IN THIS DRAWING IS THE SOLE PROPERTY OF UNIVERSITY OF IDAHO, ME DEPARTMENT. ANY REPRODUCTION IN PART OR AS A WHOLE WITHOUT THE WRITTEN PERMISSION OF UNIVERSITY OF IDAHO, ME DEPARTMENT IS PROHIBITED.

DIMENSIONS ARE IN INCHES
THIRD ANGLE PROJECTION

MATERIAL: Gray Cast Iron (SN)

Mini-Part
Project

**UNIVERSITY OF IDAHO
ME DEPARTMENT**

DEFAULT TC

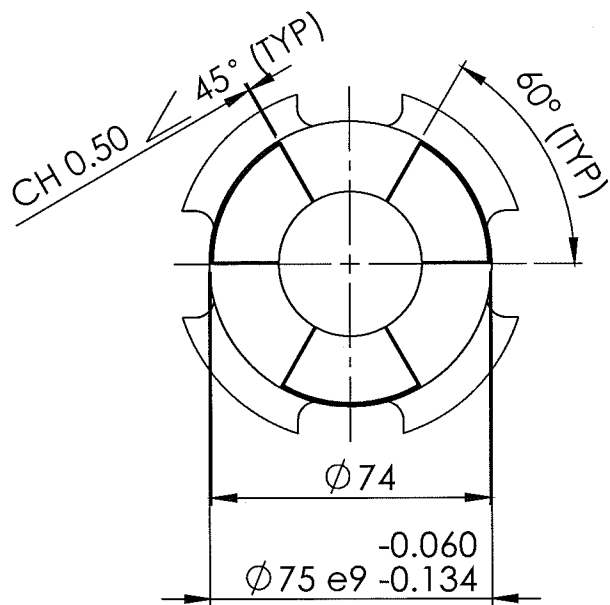
LINEAR:
X.±.25
X.X±.1
X.XX±.01
X.XXX±.002

PART #: 1414

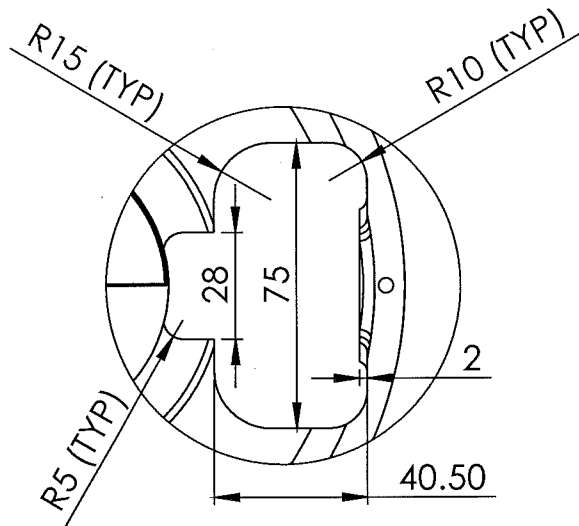
QTY: 1

SCALE: 1:5

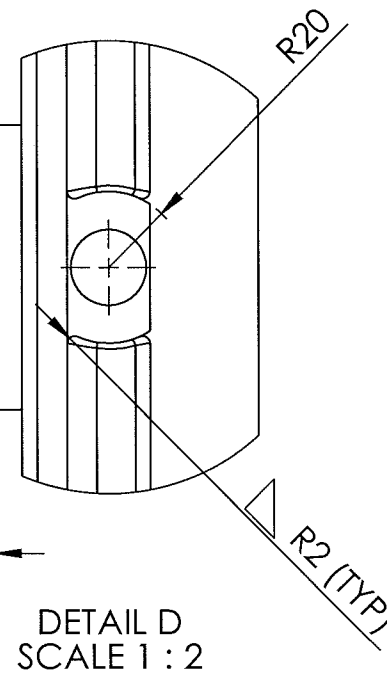
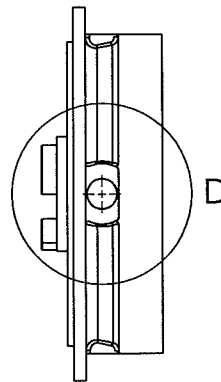
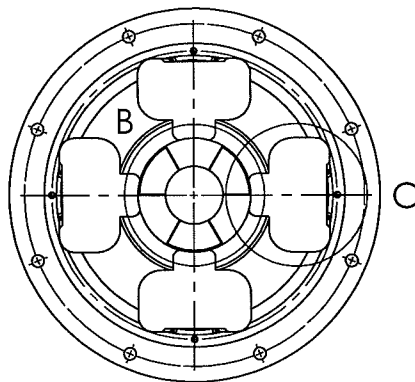
SHEET: 1 OF 3



DETAIL B
SCALE 1 : 2



DETAIL C
SCALE 1 : 2



DETAIL D
SCALE 1 : 2

PROPRIETARY AND CONFIDENTIAL

THE INFORMATION CONTAINED IN THIS DRAWING IS THE SOLE PROPERTY OF UNIVERSITY OF IDAHO, ME DEPARTMENT. ANY REPRODUCTION IN PART OR AS A WHOLE WITHOUT THE WRITTEN PERMISSION OF UNIVERSITY OF IDAHO, ME DEPARTMENT IS PROHIBITED.

DIMENSIONS ARE IN INCHES
THIRD ANGLE PROJECTION 

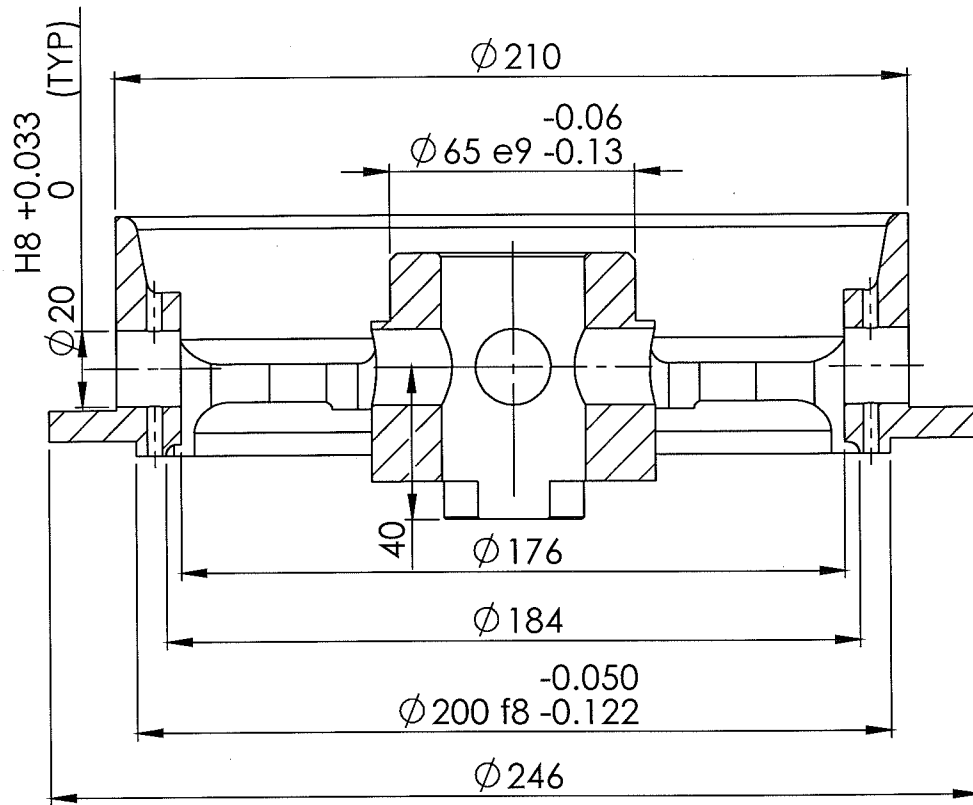
Mini-Part
Project

DEFAULT TC

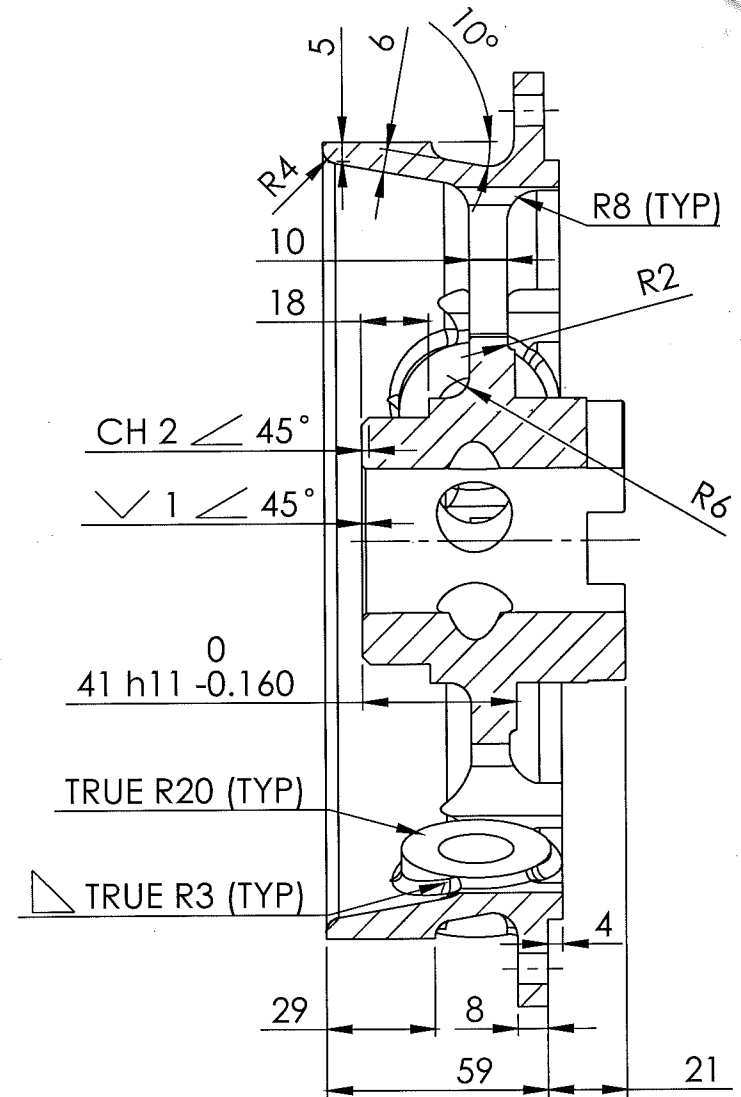
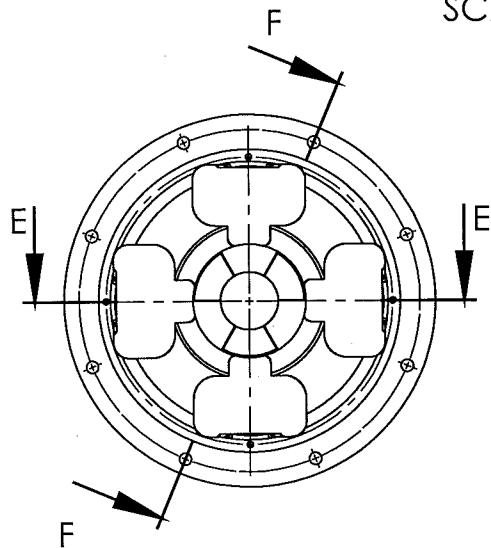
LINEAR:
X. ± .25
X.X ± .1
X.XX ± .01
X.XXX ± .002

UNIVERSITY OF IDAHO
ME DEPARTMENT

PART #: 1414	QTY: 1
SCALE: 1:5	SHEET: 2 OF 3



SECTION E-E
SCALE 1 : 2



SECTION F-F
SCALE 1 : 2

PROPRIETARY AND CONFIDENTIAL
THE INFORMATION CONTAINED IN THIS DRAWING IS THE SOLE PROPERTY OF UNIVERSITY OF IDAHO, ME DEPARTMENT. ANY REPRODUCTION IN PART OR AS A WHOLE WITHOUT THE WRITTEN PERMISSION OF UNIVERSITY OF IDAHO, ME DEPARTMENT IS PROHIBITED.

DIMENSIONS ARE IN INCHES
THIRD ANGLE PROJECTION

MATERIAL: Gray Cast Iron (SN)

DEFAULT TC

LINEAR:
X. $\pm .25$
X.X $\pm .1$
X.XX $\pm .01$
X.XXX $\pm .002$

Mini-Part
Project

**UNIVERSITY OF IDAHO
ME DEPARTMENT**

PART #: 1414 QTY: 1
SCALE: 1:5 SHEET: 3 OF 3