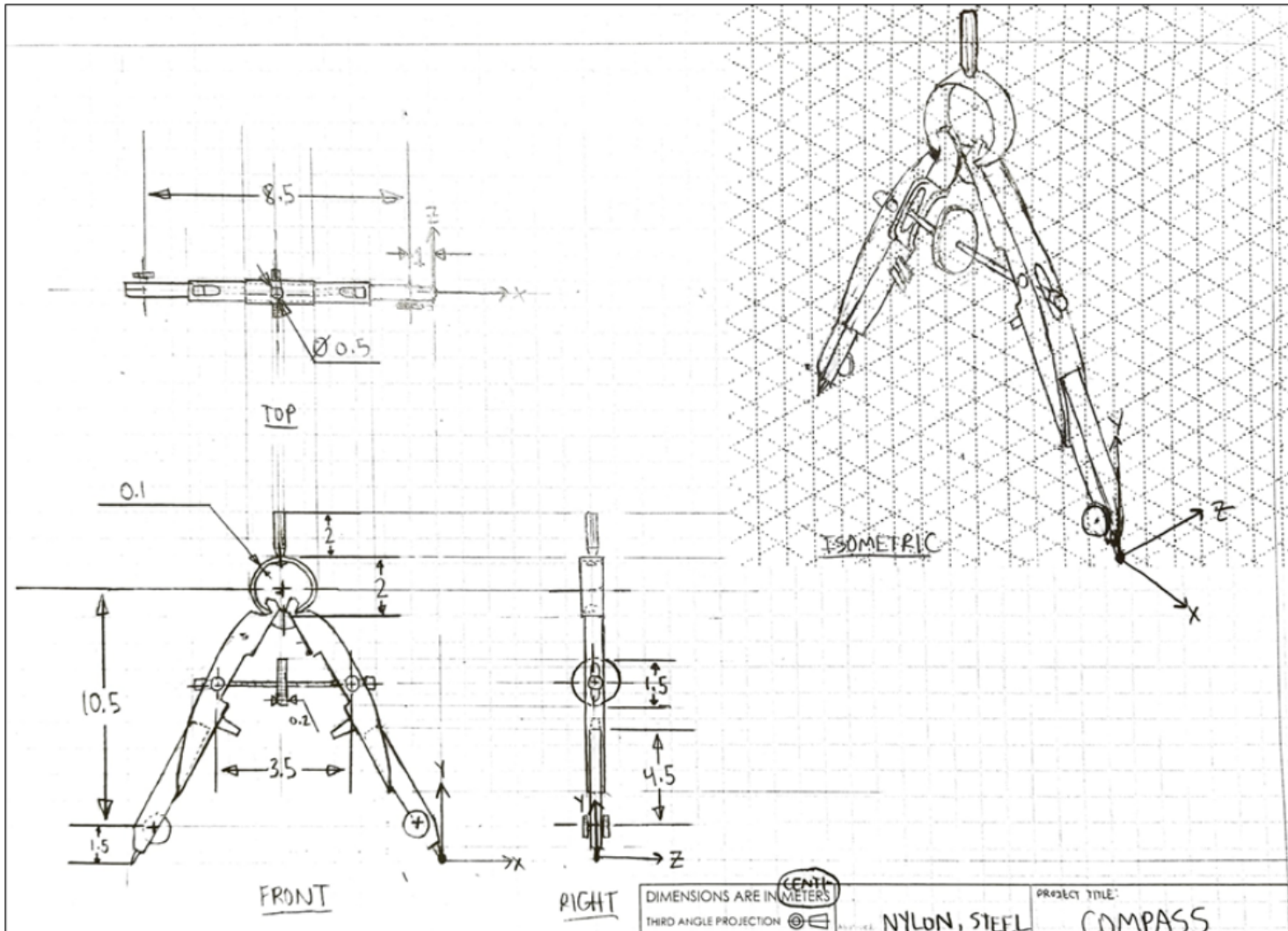
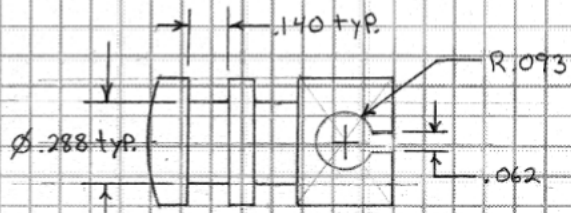
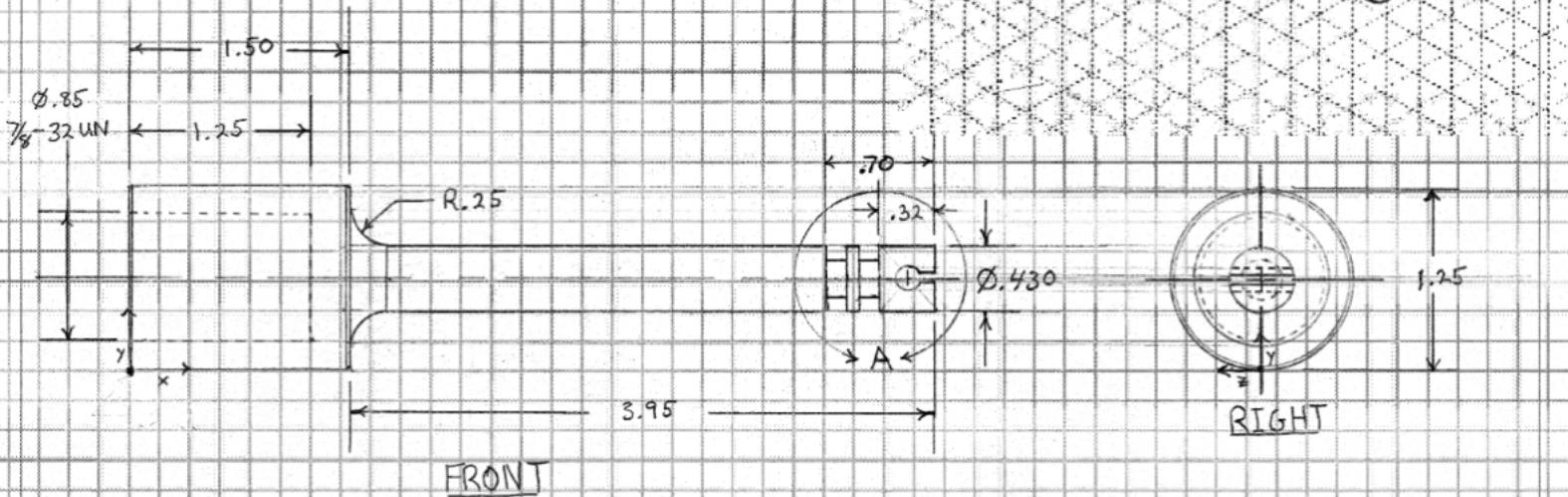
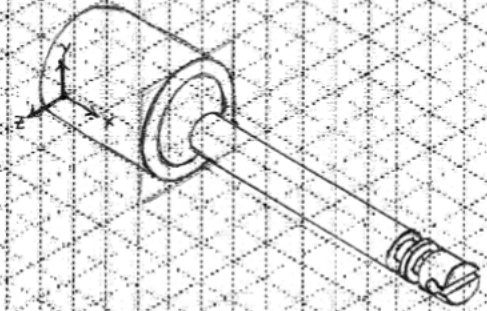


F21 HW3 Examples





DETAIL A  
SCALE 2:1



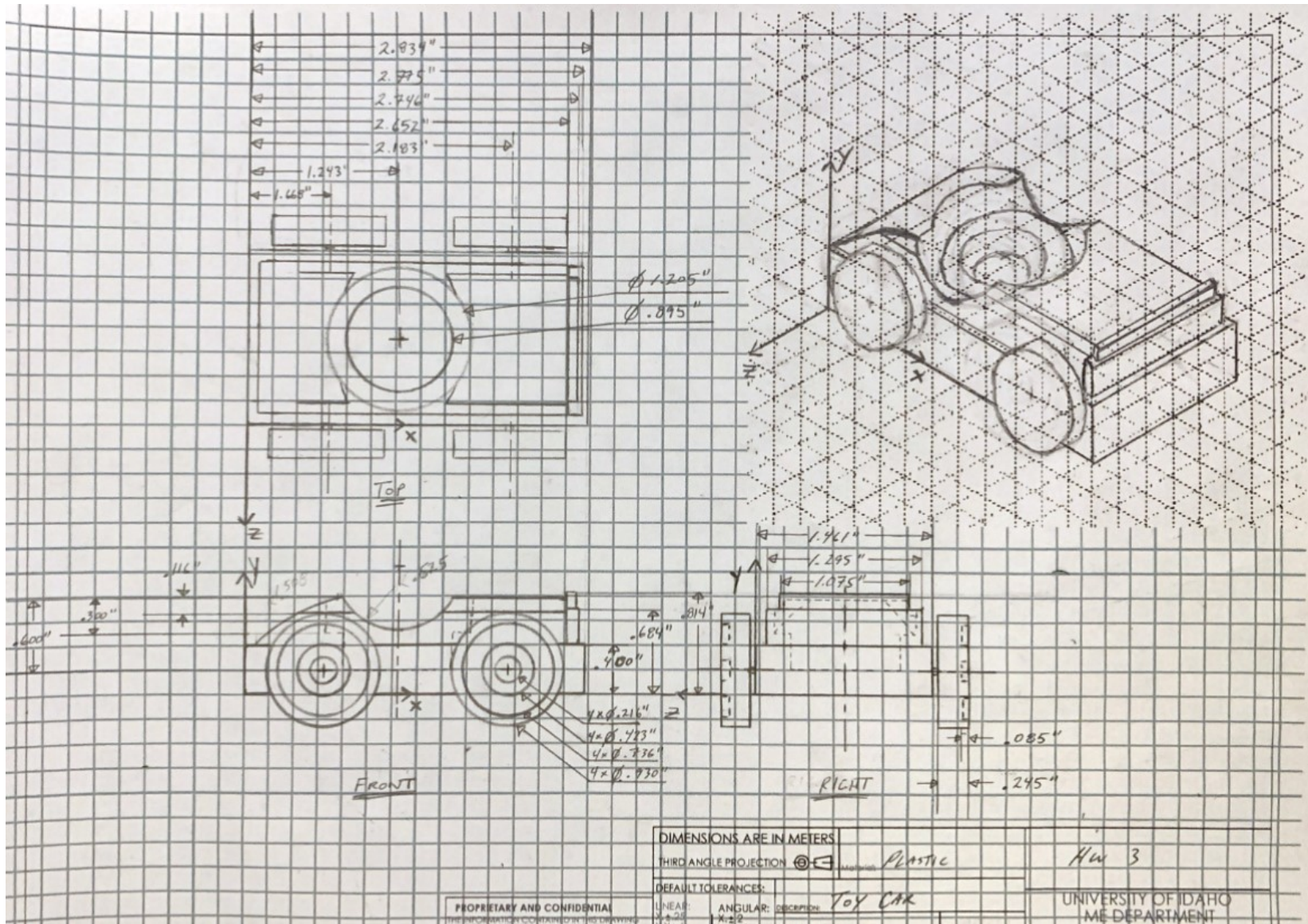
FRONT

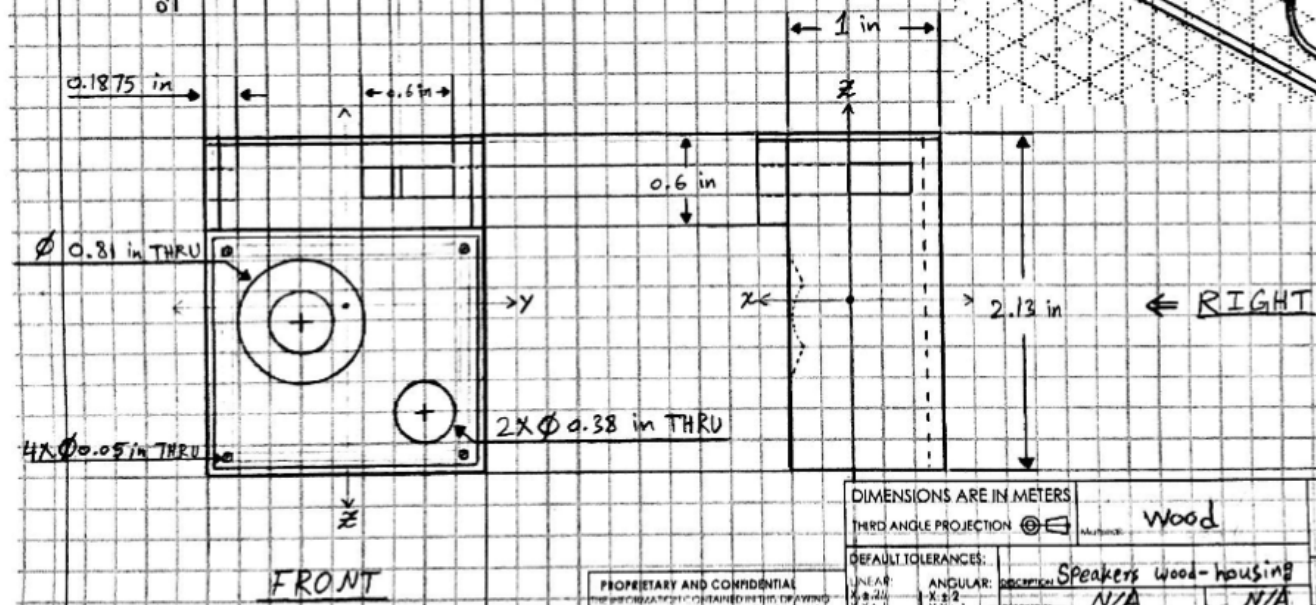
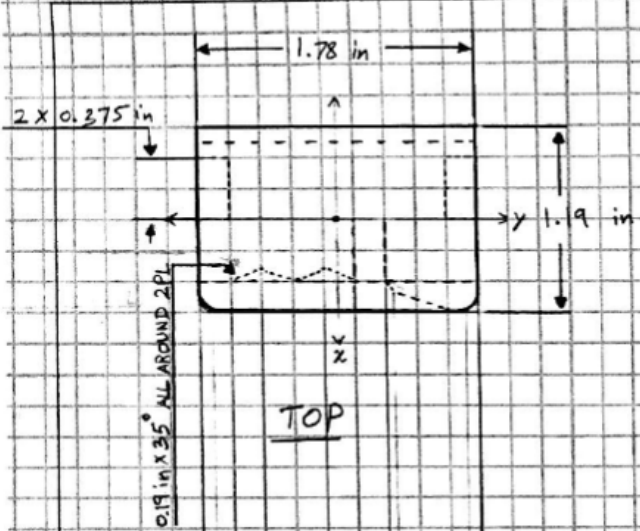
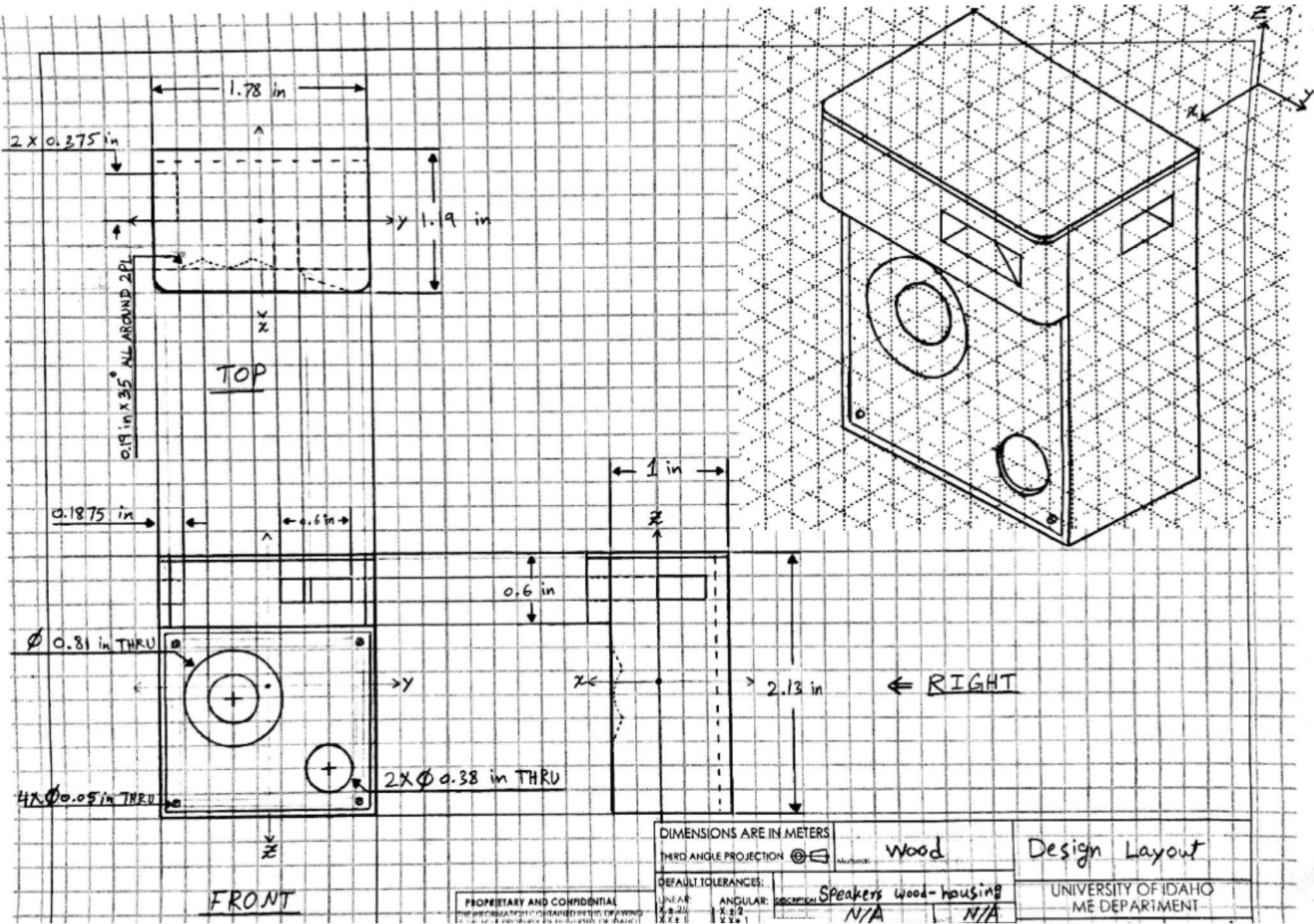
RIGHT

|                          |         |                     |                                      |
|--------------------------|---------|---------------------|--------------------------------------|
| DIMENSIONS ARE IN METERS |         | aluminum 6061 T6    | FIRE PISTON                          |
| THIRD ANGLE PROJECTION   |         |                     |                                      |
| DEFAULT TOLERANCES:      |         | Fire Piston hot end | UNIVERSITY OF IDAHO<br>ME DEPARTMENT |
| LINEAR                   | ANGULAR |                     |                                      |

PROPRIETARY AND CONFIDENTIAL

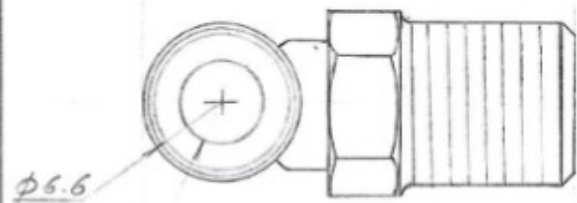






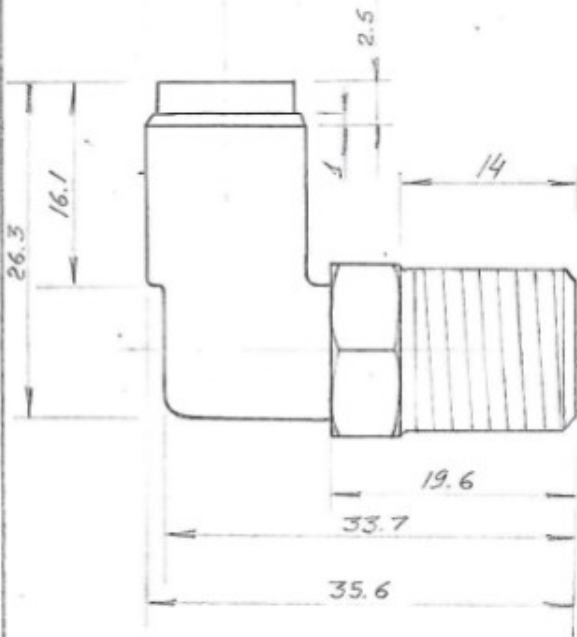
|                          |               |                       |                                      |
|--------------------------|---------------|-----------------------|--------------------------------------|
| DIMENSIONS ARE IN METERS |               | wood                  | Design Layout                        |
| THIRD ANGLE PROJECTION   |               |                       |                                      |
| DEFAULT TOLERANCES:      |               | Speakers wood-housing | UNIVERSITY OF IDAHO<br>ME DEPARTMENT |
| LINEAR: ±0.25            | ANGULAR: ±0.5 | N/A                   |                                      |

PROPRIETARY AND CONFIDENTIAL  
 INFORMATION CONTAINED HEREIN IS UNCLASSIFIED  
 DATE 08-01-2011 BY 60322 UCBAW/SJS



$\phi 6.6$

$\phi 2.9$



26.3

16.1

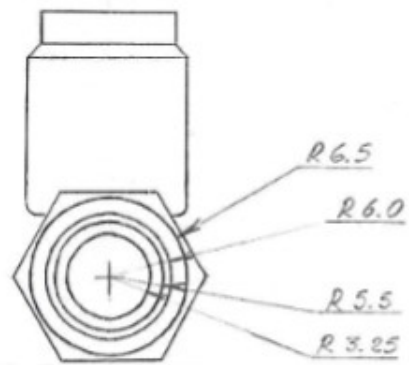
2.5

14

19.6

33.7

35.6



R6.5

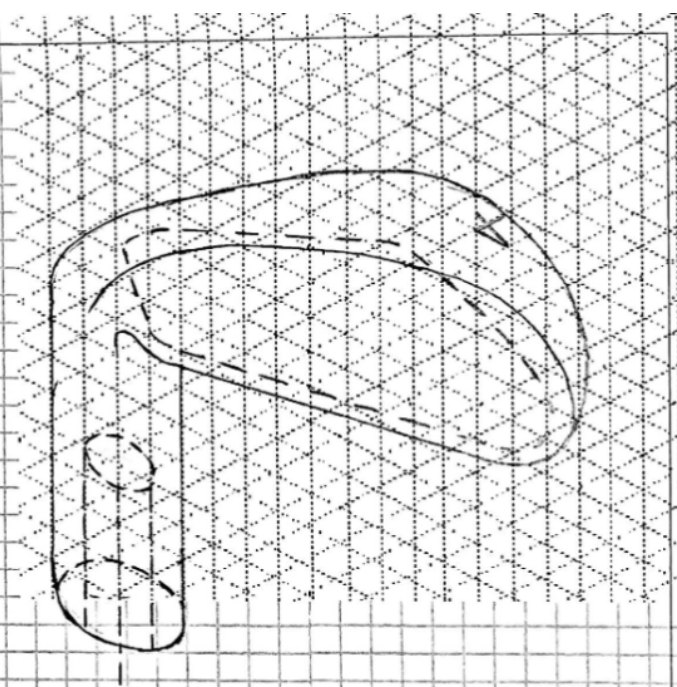
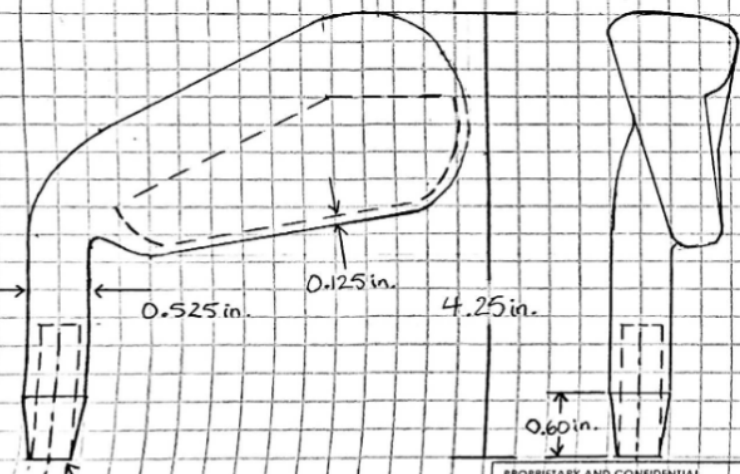
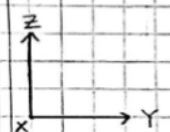
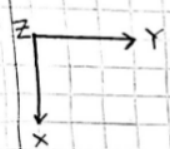
R6.0

R5.5

R3.25

|                |  |            |
|----------------|--|------------|
| DIMENSIONS: MM |  |            |
| 90° CONNECTOR  |  |            |
|                |  | SCALE: 1:1 |

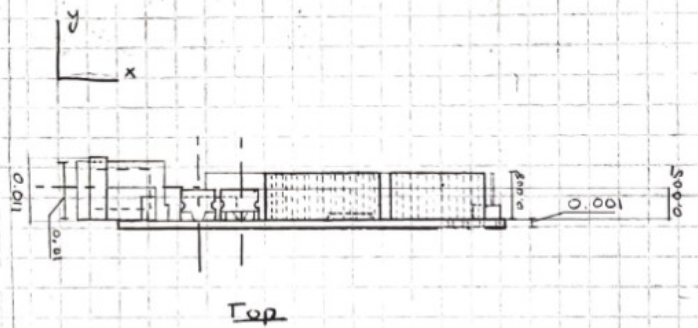




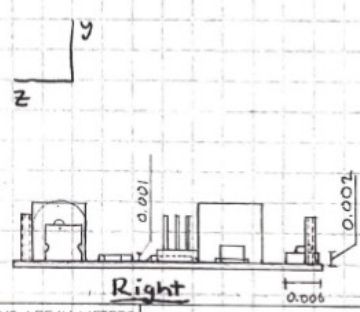
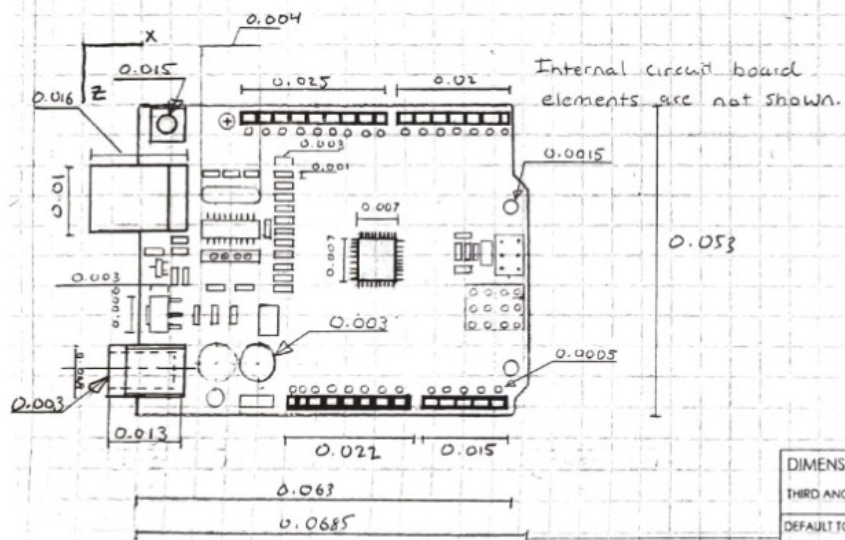
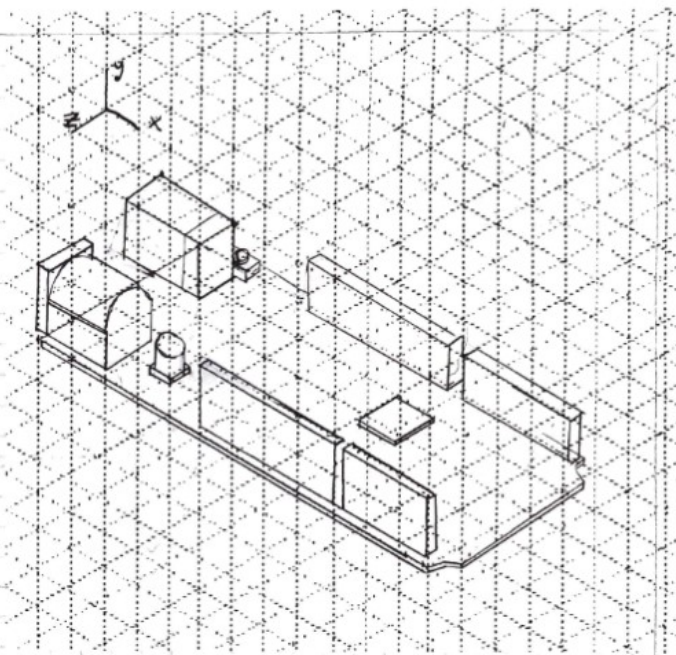
PROPRIETARY AND CONFIDENTIAL

|                          |         |                            |
|--------------------------|---------|----------------------------|
| DIMENSIONS ARE IN METERS |         | Cast                       |
| THIRD ANGLE PROJECTION   |         | Stainless Steel            |
| DEFAULT TOLERANCES:      | LINEAR: | ANGULAR:                   |
|                          |         | Surface: TaylorMade 4 Iron |

UNIVERSITY OF IDAHO



Top



Right

|                          |                             |                     |
|--------------------------|-----------------------------|---------------------|
| DIMENSIONS ARE IN METERS |                             |                     |
| THIRD ANGLE PROJECTION   | pencil                      | Arduino Dos         |
| DEFAULT TOLERANCES       | The arduino dos is named as | UNIVERSITY OF IDAHO |