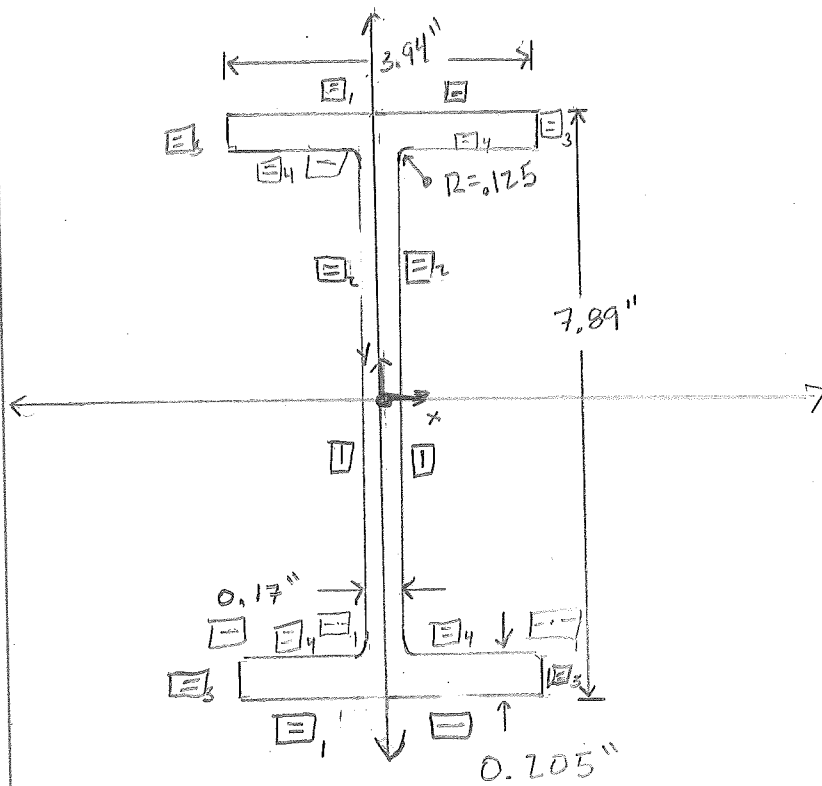
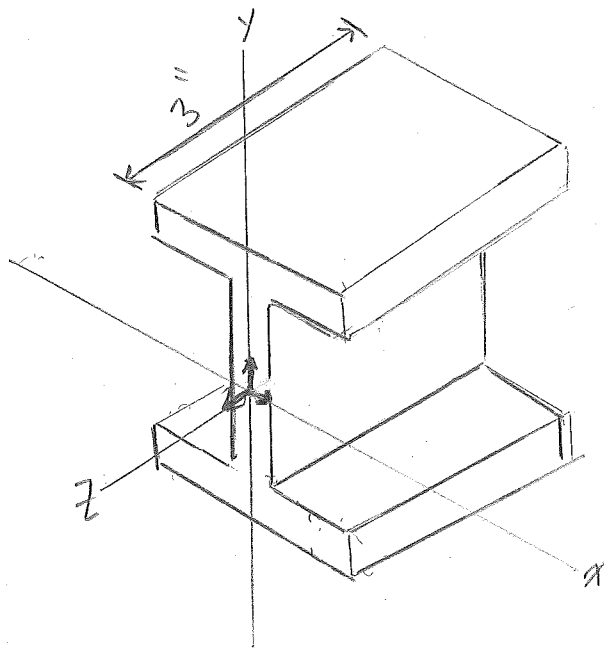


Sketch on Front Plane:



- Sketch on the front plane with relations making sketch symmetric & place the origin in the center



→ Extrude from the front face 3 inches in the direction of the z axis