

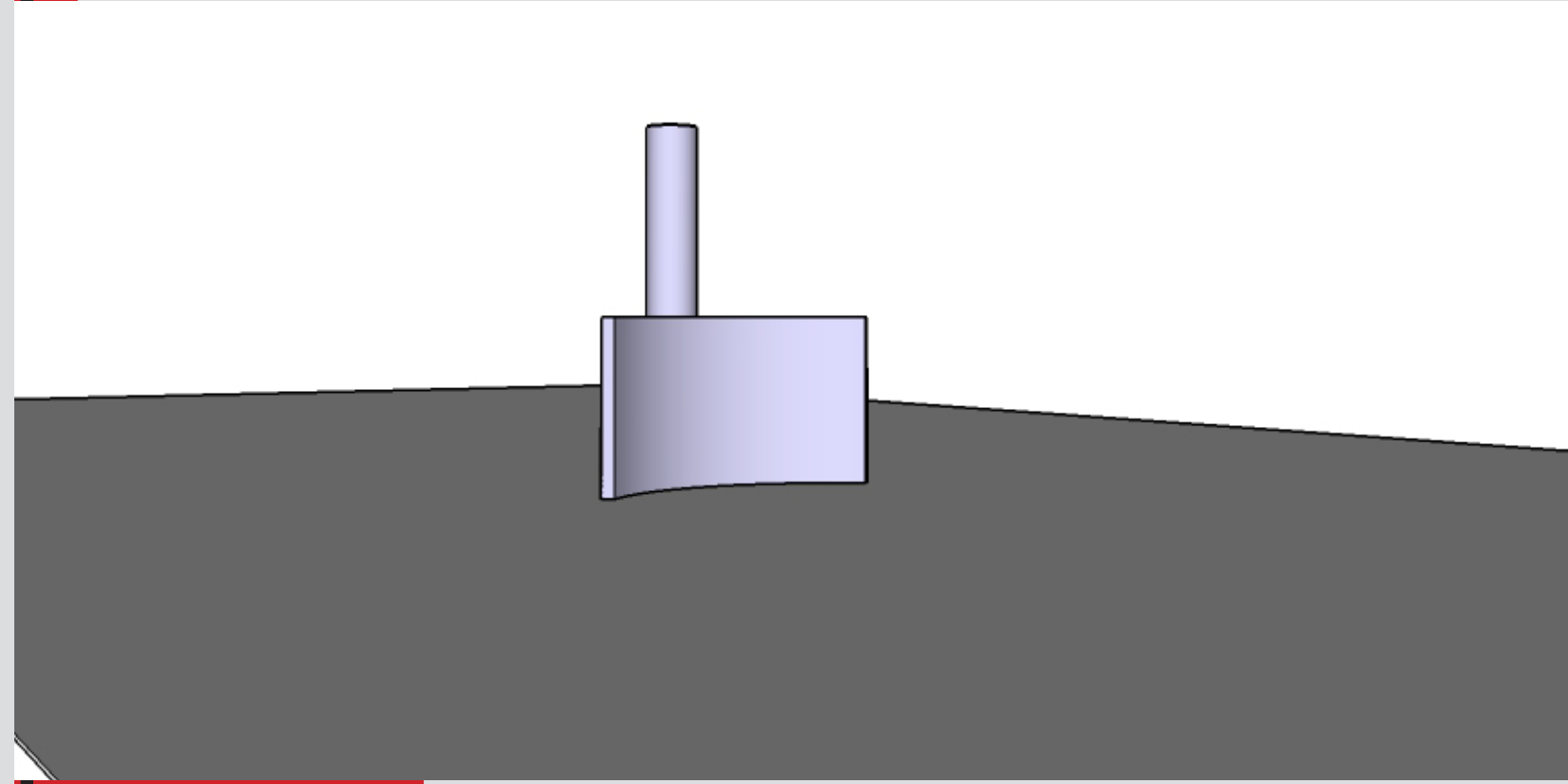
# SERPENTINE PAVILION CHARRETTE

Derek Oliver, Clay Reiland, Danielle Harlan, and Willnara Guimaraes

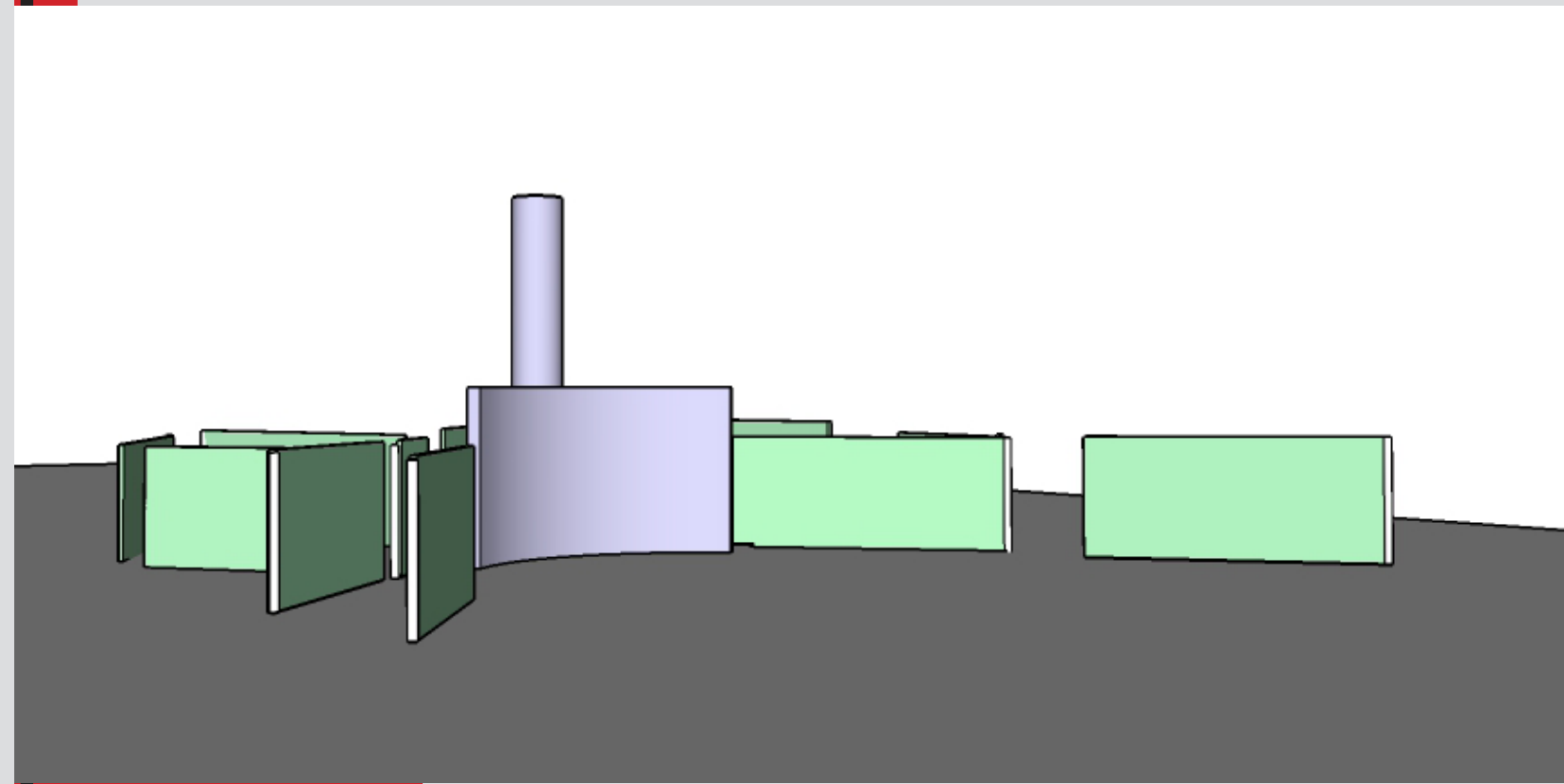
## Charrette Goal

The goal of this Charrette was to design a pavilion that could be entered in the serpentine pavilion design competition. The competition allows an internationally renowned architect to build their first structure in the UK. The brief is to design a 300 square meter pavilion, that is used as a cafe by day and a forum for learning, debate, and entertainment by night. We were given one day to design a pavilion for the criteria above at a host firm in the London area. After we concluded our one day design, we were given the opportunity to present our ideas to the three firms who hosted our groups.

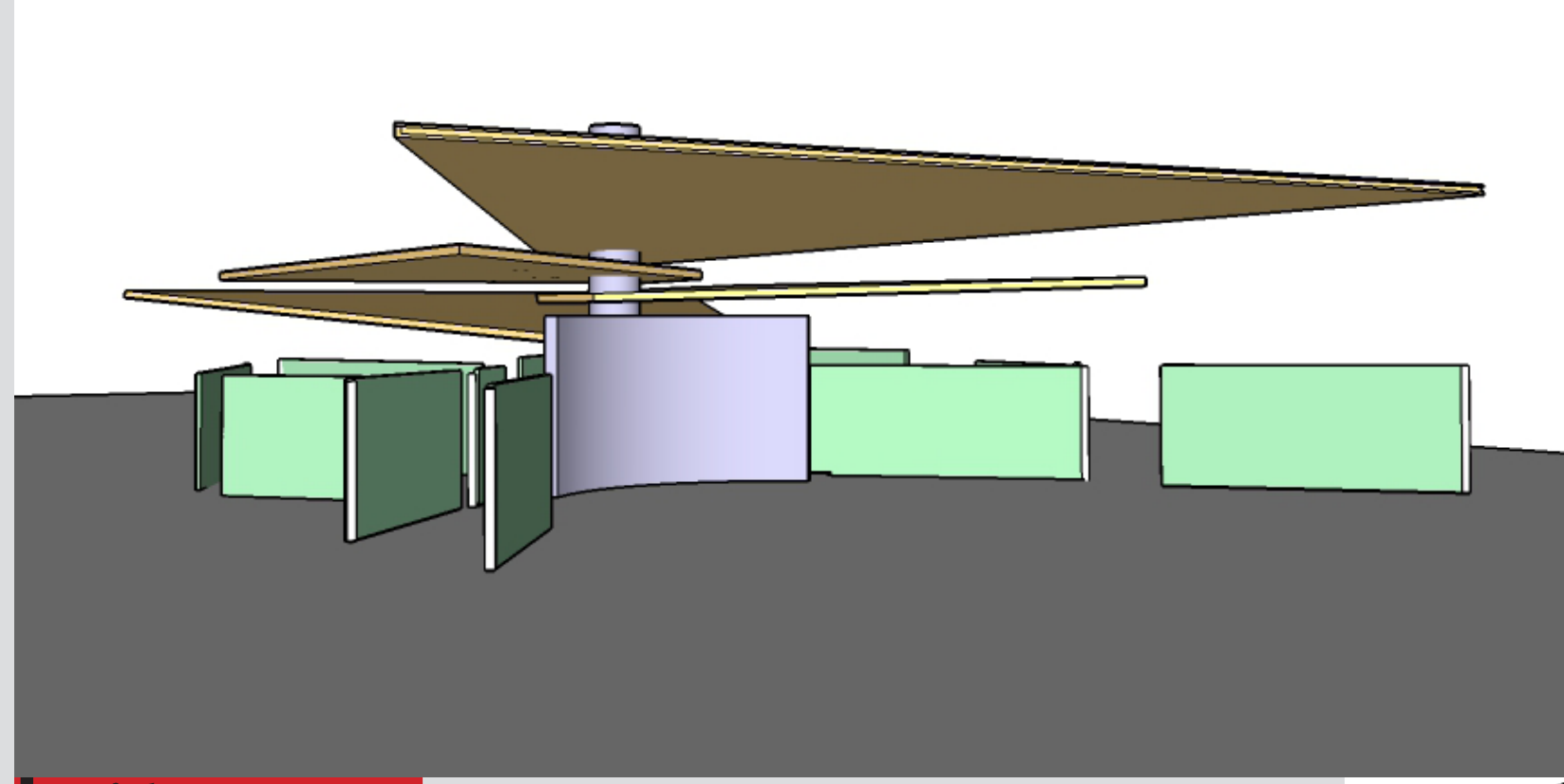
Pavilion Elements



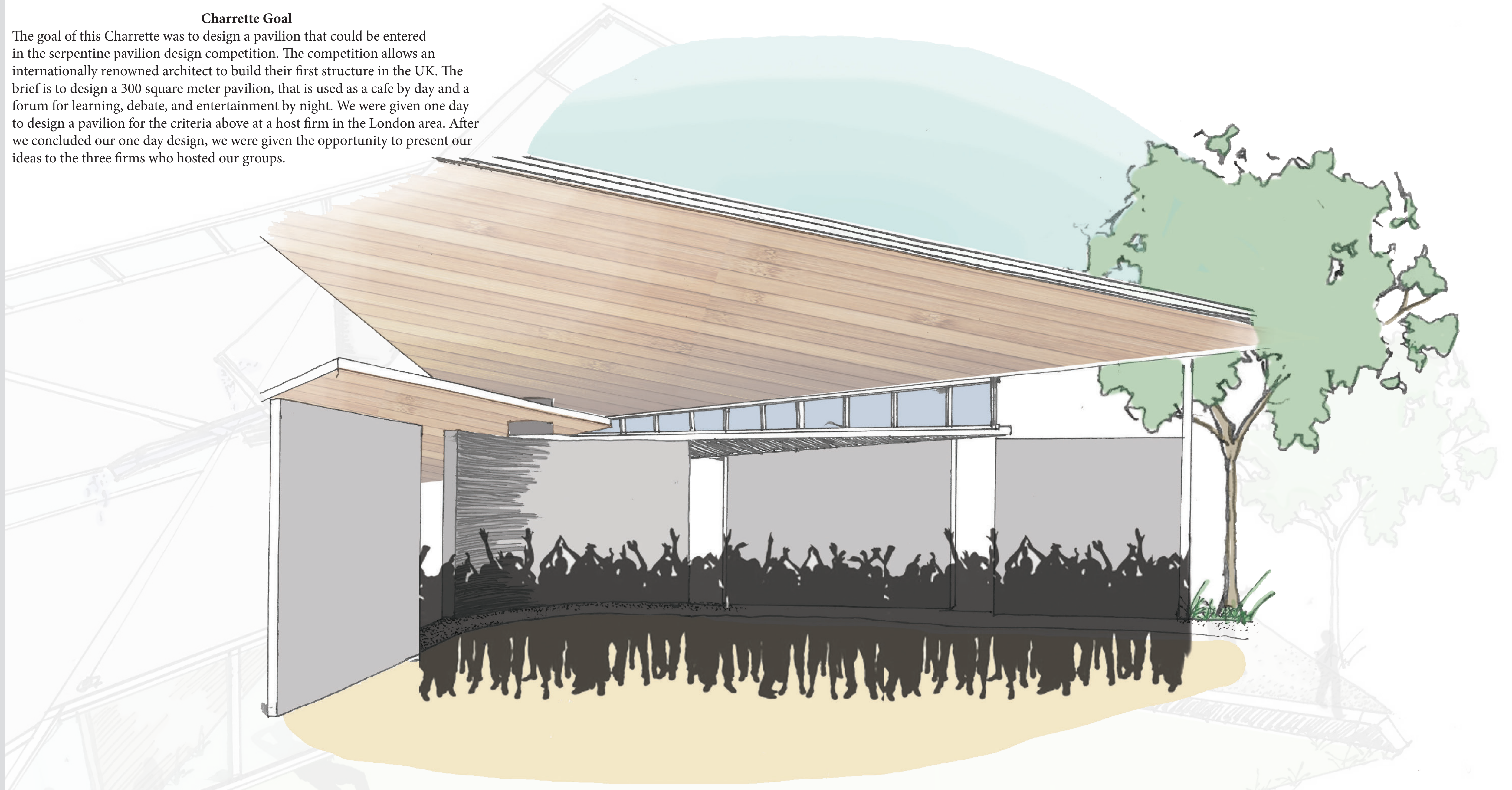
Pavilion Core



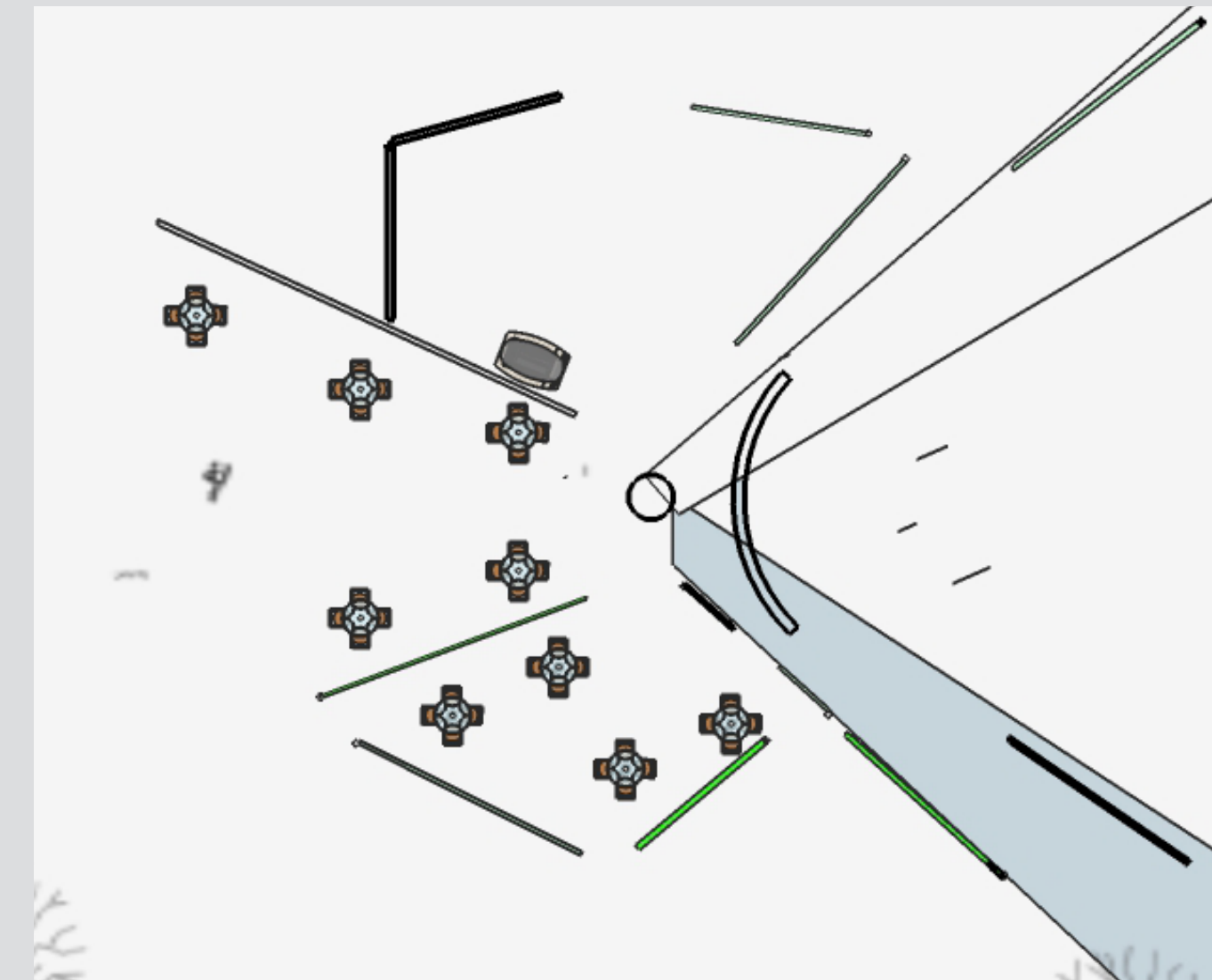
Movable Walls



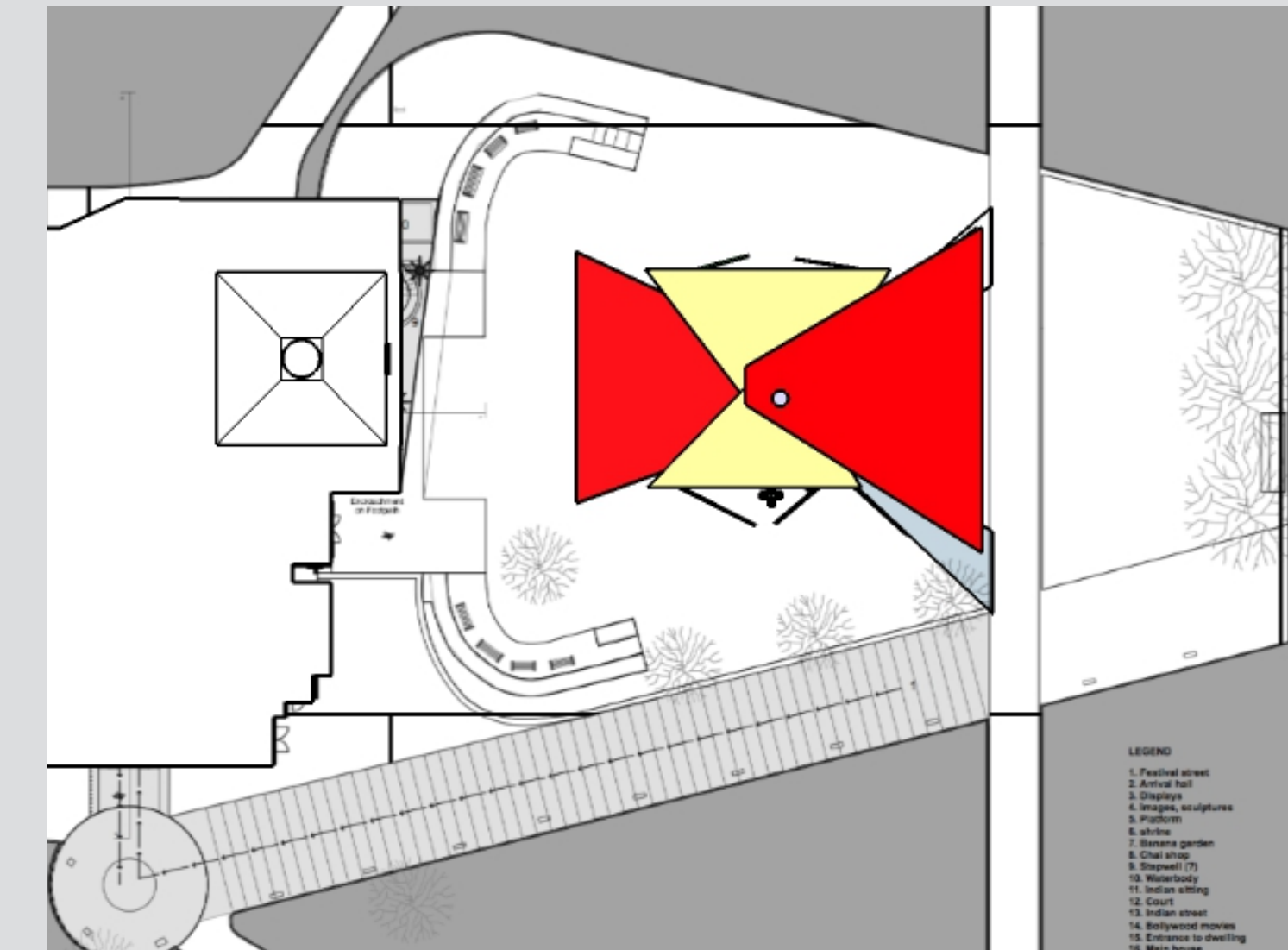
Roof Plains



Integrated Elements



Floor Plan



Site Plan

