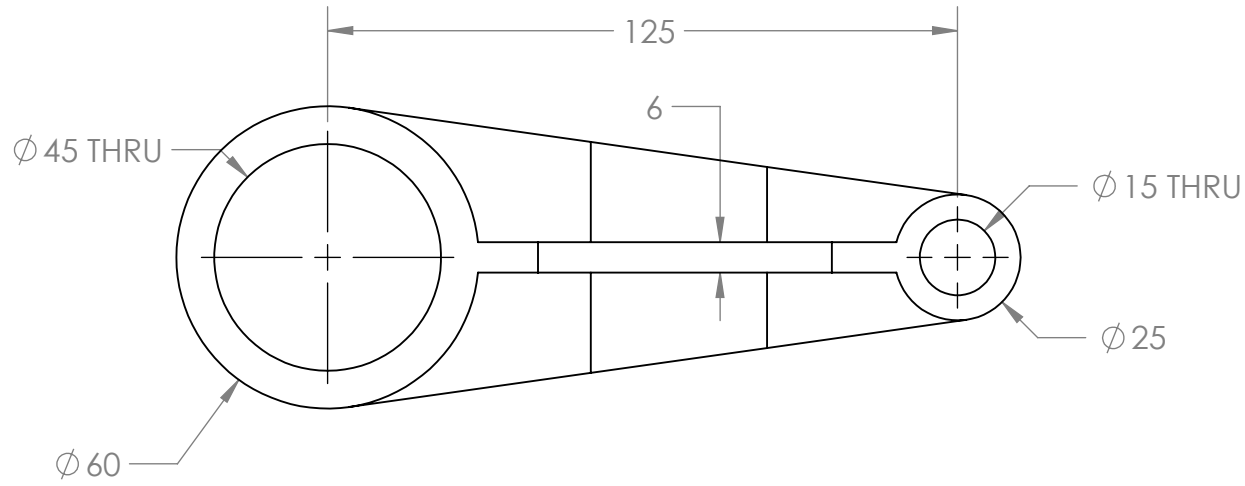


2

1

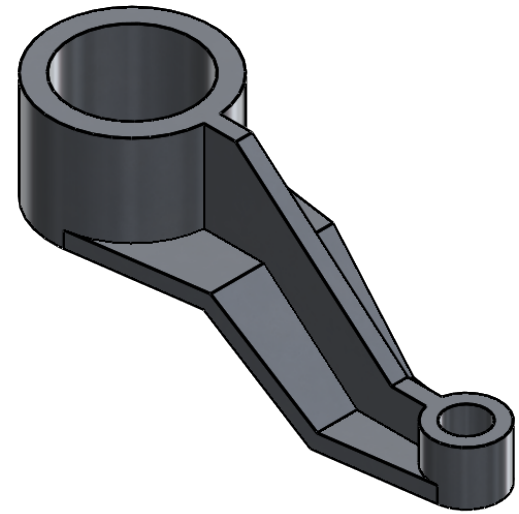
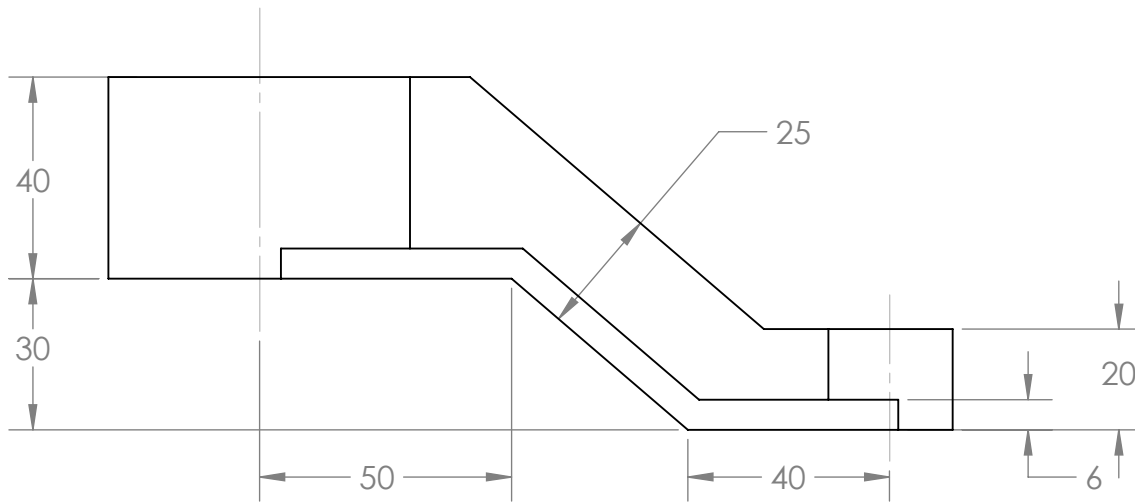
B

B



A

A



Material: 6061-T6 Aluminum

Mass: 250.60 grams

2

1