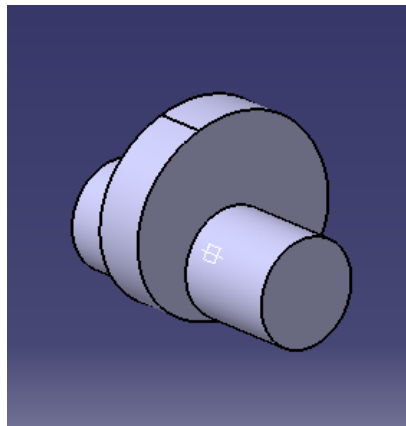


- In [Introduction to CATIA V5](#), do the following tutorials:
 - **Tutorial 2.2:** Save isometric image in Word
 - **Tutorial 9.1:** Save isometric image in Word
 - **Tutorial 7.2:** Save isometric image in Word
 - **Exercises 4.2:** Save isometric image in Word
- Using the **Exhaust Cam** image from the website, sketch and pad out a cam
 - Use a base circle of .4 inches in diameter to reference the lift of the cam
 - Use at least 8 reference points; make sure everything is **fully defined**
 - Finished product will look somewhat like this:



- Save isometric image in Word
- For help, see Tutorial 2.7 from [Introduction to CATIA V5](#).

Deliverables:

Save a single word document in your personal folder under 'Submitted Problem Sets' with the following:

- **Screen captures taken while completing the following tutorials**
 - **Tutorial 2.2:**
 - **Tutorial 9.1:**
 - **Tutorial 7.2:**
 - **Exercises 4.2:**
- **Process description and pictures for creating the exhaust cam**
- **Lessons learned from the tutorials and exhaust cam**
- **Answer the following questions**
 - Describe your method of creating the exhaust cam.
 - What does the function **Project 3D Elements** allow the user to do?