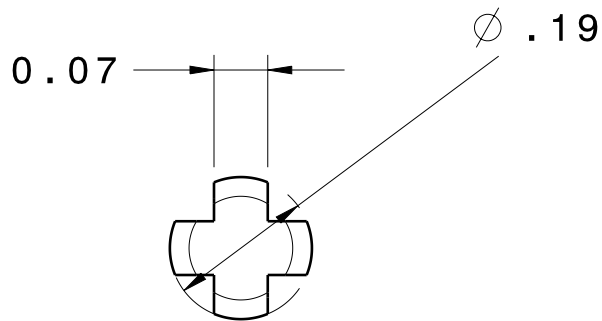
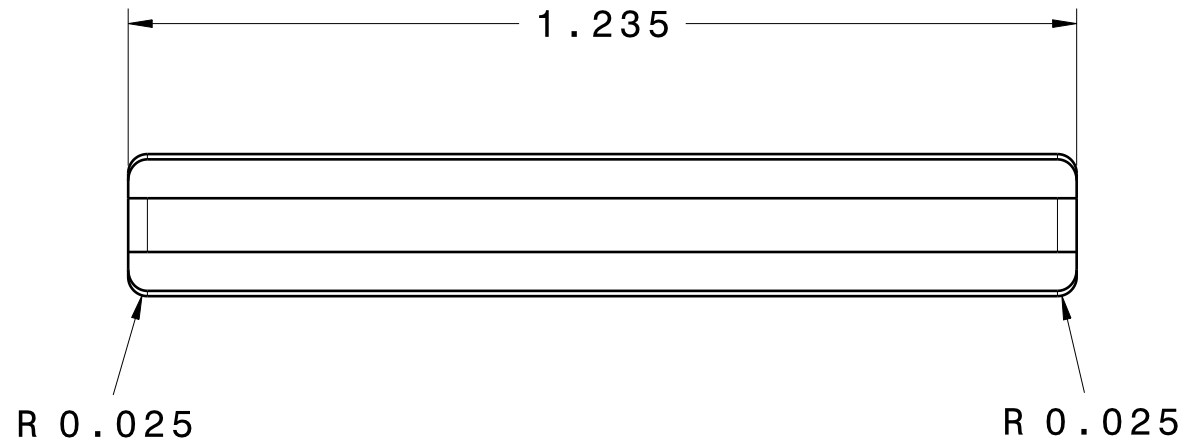


Isometric view
Scale: 2:1

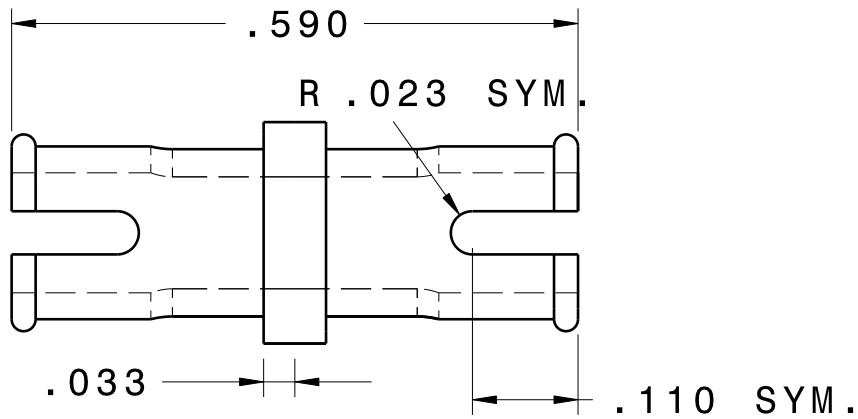


Front view
Scale: 4:1

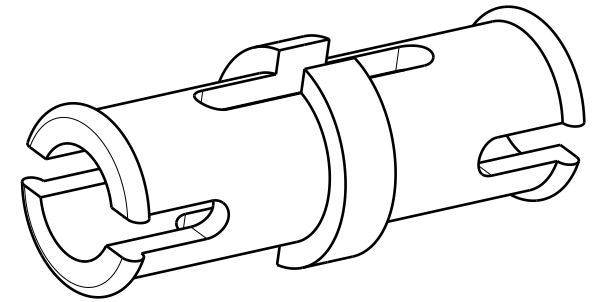


Right view
Scale: 4:1

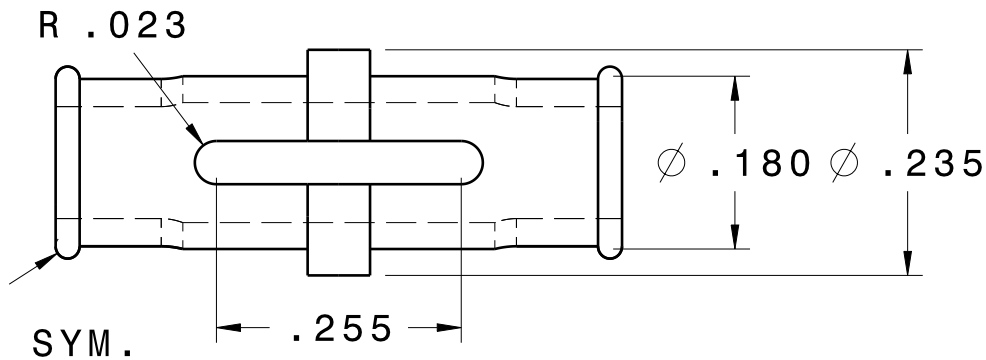
DIMENISONS ARE IN INCHES				Black Axle
<i>THIRD ANGLE PROJECTION</i>		MATERIAL:		
DEFAULT LINEAR TOLERANCES:	DEFAULT ANGULAR TOLERANCES:	DESCRIPTION:		UNIVERSITY OF IDAHO ME DEPARTMENT
X. +/- .25 X.X +/- .1 X.XX +/- .01 X.XXX +/- .002	X. +/- 2 X.X +/- 1 X.XX +/- 0 30°	DRAWN BY: SPH	DATE:	
PROPRIETARY AND CONFIDENTIAL THE INFORMATION CONTAINED IN THIS DRAWING IS THE SOLE PROPERTY OF THE UNIVERSITY OF IDAHO ME DEPARTMENT. ANY REPRODUCTION IN PART OR AS A WHOLE WITHOUT THE WRITTEN PERMISSION OF THE UNIVERSITY OF IDAHO IS PROHIBITED.		CHECKED BY:	DATE:	
		FILE NAME: Black Cross	PART #:	QUANTITY: 1
		CAD APPLICATION: CATIA v5	SCALE 4:1	SHEET # of #



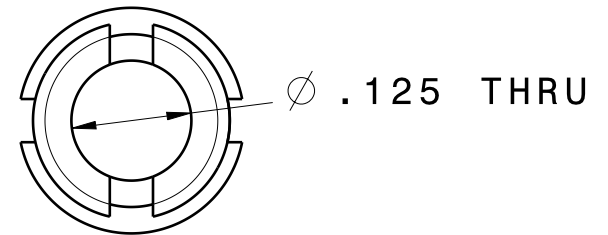
Top view
Scale: 5:1



Isometric view
Scale: 5:1

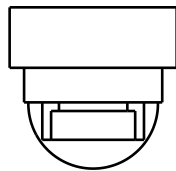
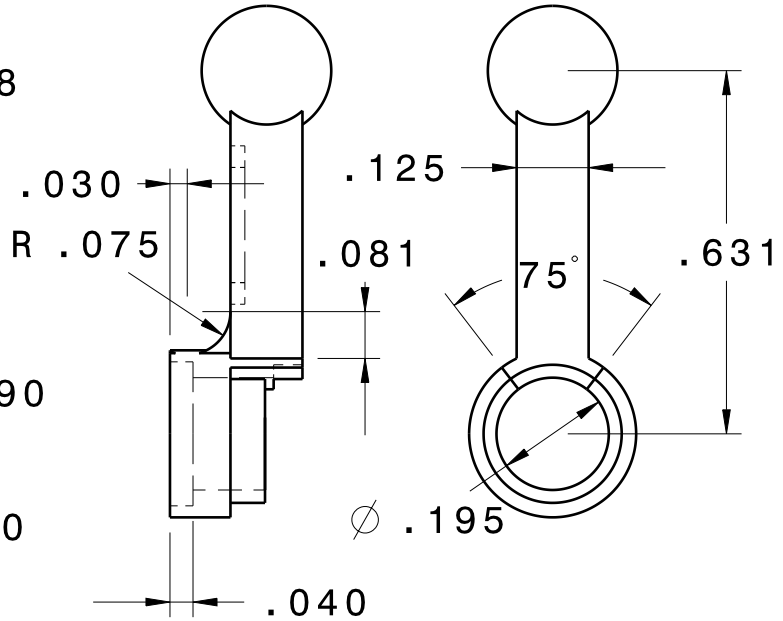
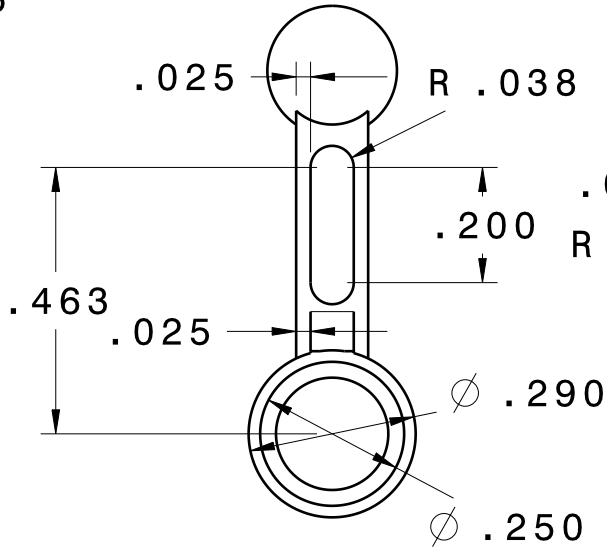
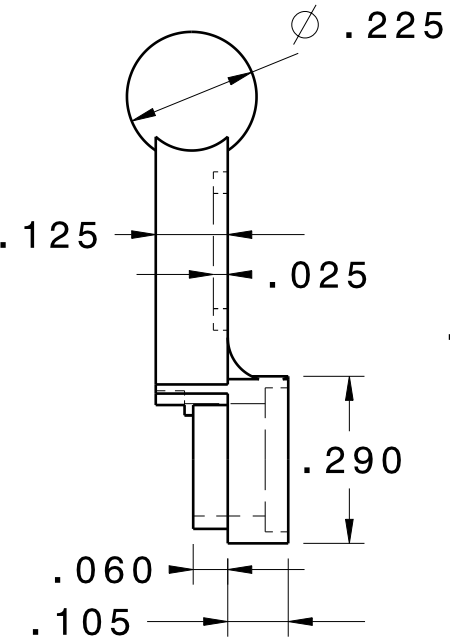
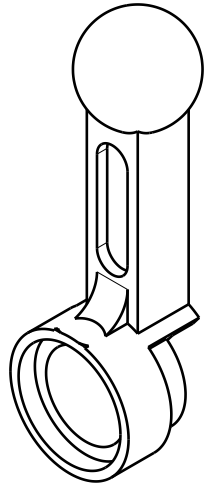
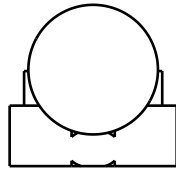


Front view
Scale: 5:1

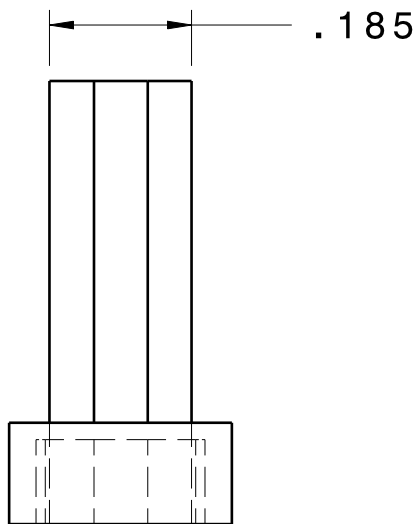


Right view
Scale: 5:1

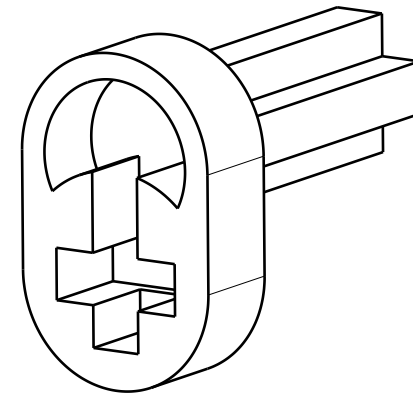
DIMENSIONS ARE IN INCHES		Black Pin	
<i>THIRD ANGLE PROJECTION</i>			
MATERIAL: DESCRIPTION:	DRAWN BY: SPH CHECKED BY:	DATE: DATE:	UNIVERSITY OF IDAHO ME DEPARTMENT
DEFAULT LINEAR TOLERANCES: X. +/- .25 X.X +/- .1 X.XX +/- .01 X.XXX +/- .002	DEFAULT ANGULAR TOLERANCES: X. +/- 2 X.X +/- 1 X.XX +/- 0 30' X.XXX +/- .002	FILE NAME: BLACK PIN CAD APPLICATION: CATIA V5	
PROPRIETARY AND CONFIDENTIAL THE INFORMATION CONTAINED IN THIS DRAWING IS THE SOLE PROPERTY OF THE UNIVERSITY OF IDAHO ME DEPARTMENT. ANY REPRODUCTION IN PART OR AS A WHOLE WITHOUT THE WRITTEN PERMISSION OF THE UNIVERSITY OF IDAHO IS PROHIBITED.			



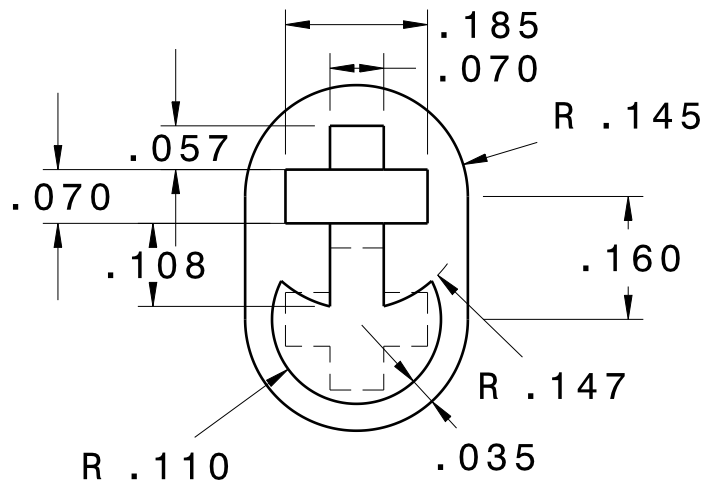
DIMENISONS ARE IN INCHES		Connecting Rod	
<i>THIRD ANGLE PROJECTION</i>			
MATERIAL : DESCRIPTION : DRAWN BY : CHECKED BY : FILE NAME : CAD APPLICATION : CATIA V5		DATE : DATE : PART # : SCALE 3:1	QUANTITY : 2 SHEET # of #
DEFAULT LINEAR TOLERANCES: X. +/- .25 X.X +/- .1 X.XX +/- .01 X.XXX +/- .002		DEFAULT ANGULAR TOLERANCES: X. +/- 2 X.X +/- 1 X.XX +/- 0.30°	
PROPRIETARY AND CONFIDENTIAL THE INFORMATION CONTAINED IN THIS DRAWING IS THE SOLE PROPERTY OF THE UNIVERSITY OF IDAHO ME DEPARTMENT. ANY REPRODUCTION IN PART OR AS A WHOLE WITHOUT THE WRITTEN PERMISSION OF THE UNIVERSITY OF IDAHO IS PROHIBITED.			



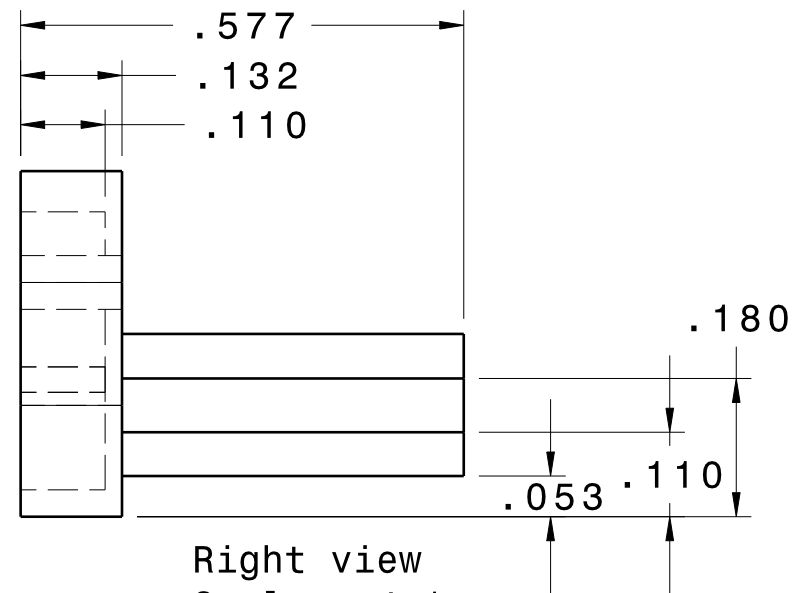
Top view
Scale: 4:1



Isometric view
Scale: 4:1

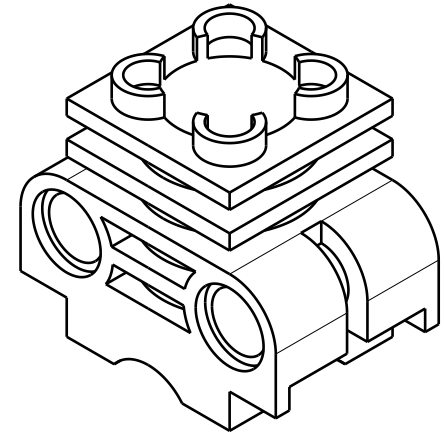
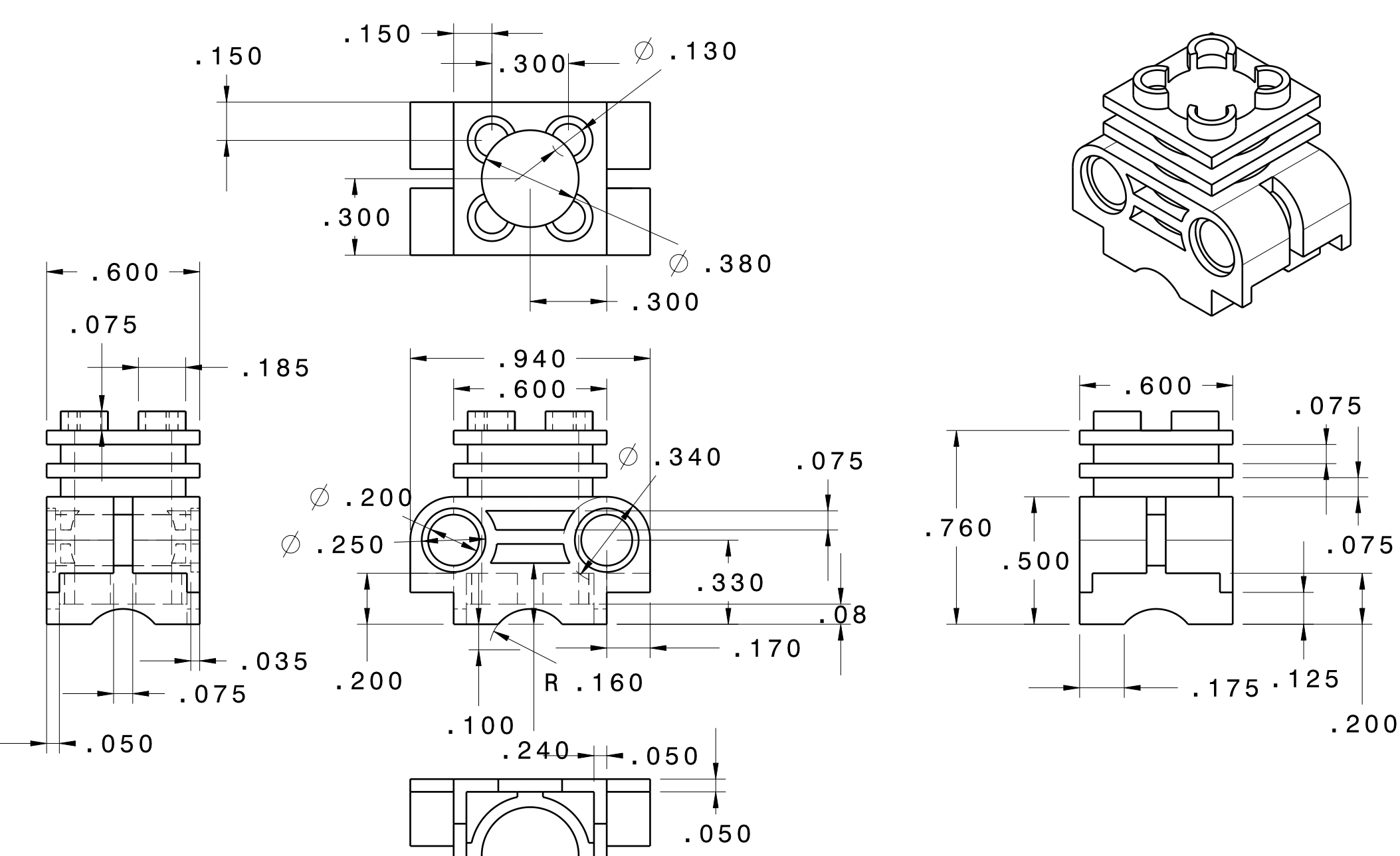


Front view
Scale: 4:1

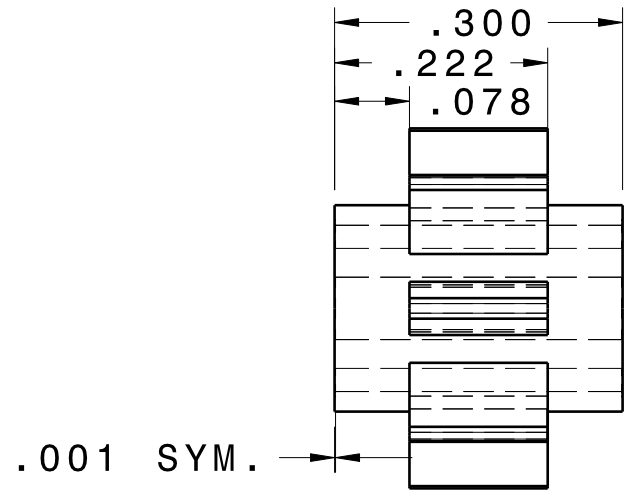
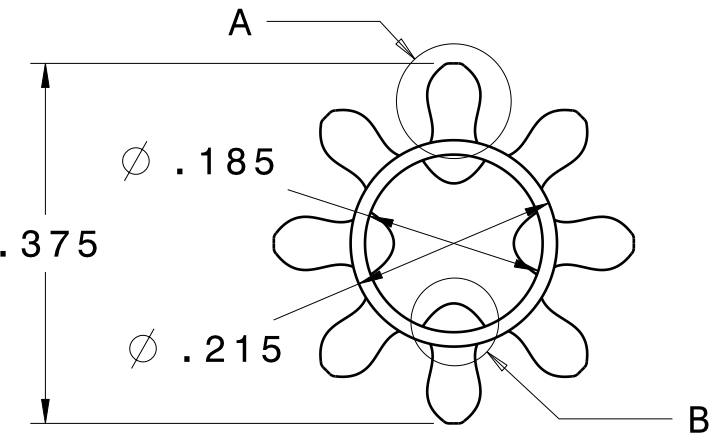
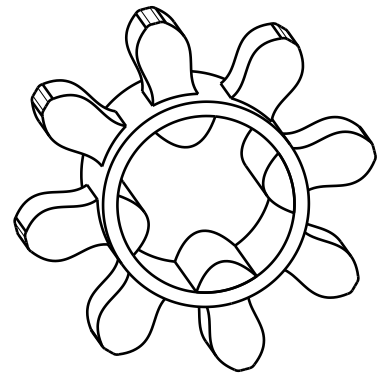
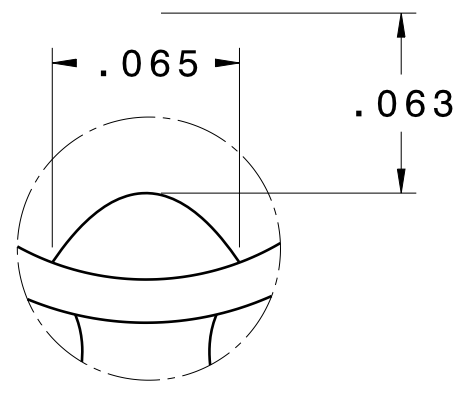
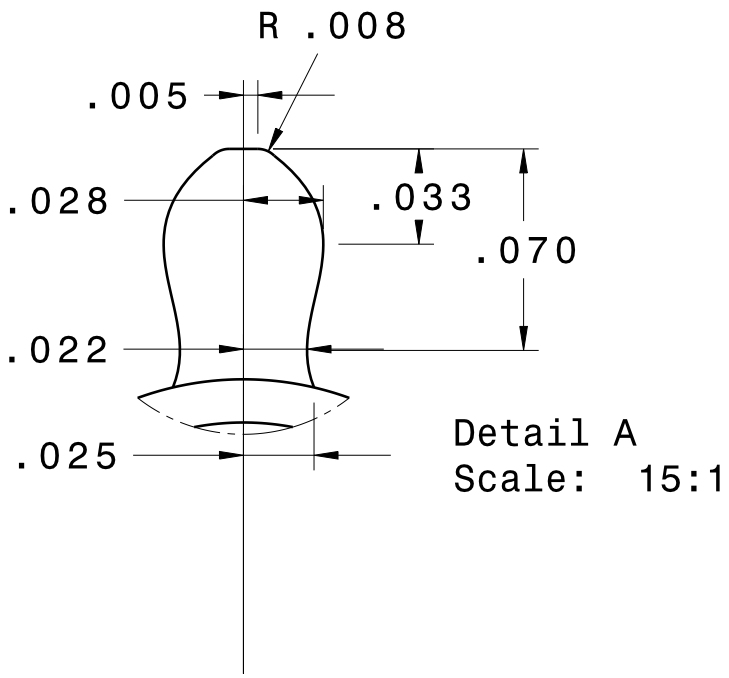


Right view
Scale: 4:1

DIMENSIONS ARE IN INCHES				Crankshaft
THIRD ANGLE PROJECTION		MATERIAL:		
DEFAULT LINEAR TOLERANCES:	DEFAULT ANGULAR TOLERANCES:	DESCRIPTION:		UNIVERSITY OF IDAHO ME DEPARTMENT
X. +/- .25 X.X +/- .1 X.XX +/- .01 X.XXX +/- .002	X. +/- 2 X.X +/- 1 X.XX +/- 0 30'	DRAWN BY: SPH	DATE:	
PROPRIETARY AND CONFIDENTIAL THE INFORMATION CONTAINED IN THIS DRAWING IS THE SOLE PROPERTY OF THE UNIVERSITY OF IDAHO ME DEPARTMENT. ANY REPRODUCTION IN PART OR AS A WHOLE WITHOUT THE WRITTEN PERMISSION OF THE UNIVERSITY OF IDAHO IS PROHIBITED.		CHECKED BY:	DATE:	PART #:
		FILE NAME: CRANK	CAD APPLICATION: CATIA v5	QUANTITY: 2 SCALE 4:1 SHEET # of #



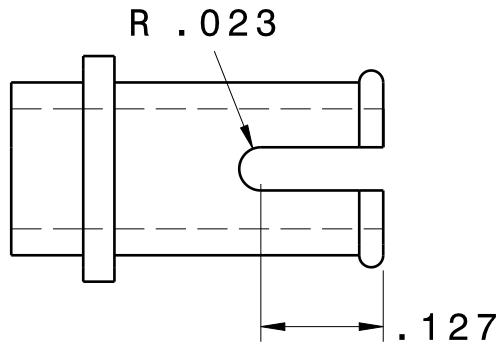
DIMENSIONS ARE IN INCHES		MATERIAL:		<h1>Cylinder</h1>			
THIRD ANGLE PROJECTION							
DEFAULT LINEAR TOLERANCES:	DEFAULT ANGULAR TOLERANCES:	DESCRIPTION:				UNIVERSITY OF IDAHO ME DEPARTMENT	
X. +/- .25	X. +/- 2						
X.X +/- .1	X.X +/- 1	DRAWN BY:	DATE:				
X.XX +/- .01	X.XX +/- 0 30'	CHECKED BY:	DATE:				
X.XXX +/- .002		FILE NAME:		PART #:	QUANTITY: 2		
PROPRIETARY AND CONFIDENTIAL THE INFORMATION CONTAINED IN THIS DRAWING IS THE SOLE PROPERTY OF THE UNIVERSITY OF IDAHO ME DEPARTMENT. ANY REPRODUCTION IN PART OR AS A WHOLE WITHOUT THE WRITTEN PERMISSION OF THE UNIVERSITY OF IDAHO IS PROHIBITED.		CAD APPLICATION: CATIA V5		SCALE 2:1	SHEET # of #		



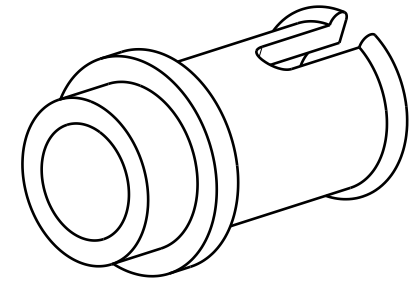
Front view
Scale: 5:1

Right view
Scale: 5:1

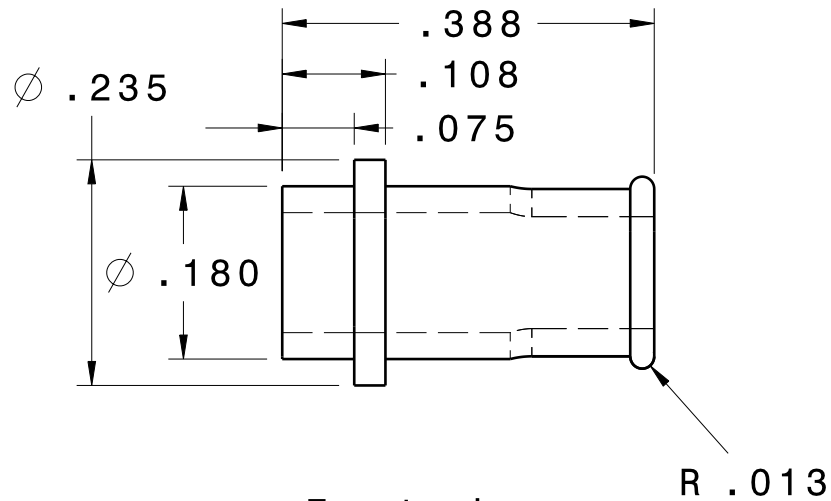
DIMENSIONS ARE IN INCHES		Gear	
<i>THIRD ANGLE PROJECTION</i>			
MATERIAL: DESCRIPTION: DRAWN BY: SPH CHECKED BY:	DATE: DATE:	UNIVERSITY OF IDAHO ME DEPARTMENT	
FILE NAME: GEAR CAD APPLICATION: CATIA v5	PART #:		
DEFAULT LINEAR TOLERANCES: X. +/- .25 X.X +/- .1 X.XX +/- .01 X.XXX +/- .002	DEFAULT ANGULAR TOLERANCES: X. +/- 2 X.X +/- 1 X.XX +/- 0 30'	PROPRIETARY AND CONFIDENTIAL THE INFORMATION CONTAINED IN THIS DRAWING IS THE SOLE PROPERTY OF THE UNIVERSITY OF IDAHO ME DEPARTMENT. ANY REPRODUCTION IN PART OR AS A WHOLE WITHOUT THE WRITTEN PERMISSION OF THE UNIVERSITY OF IDAHO IS PROHIBITED.	



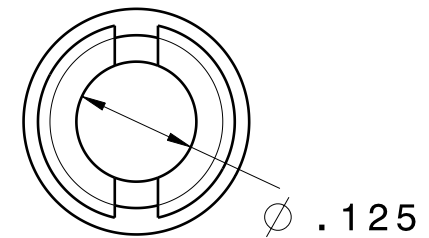
Top view
Scale: 5:1



Isometric view
Scale: 5:1

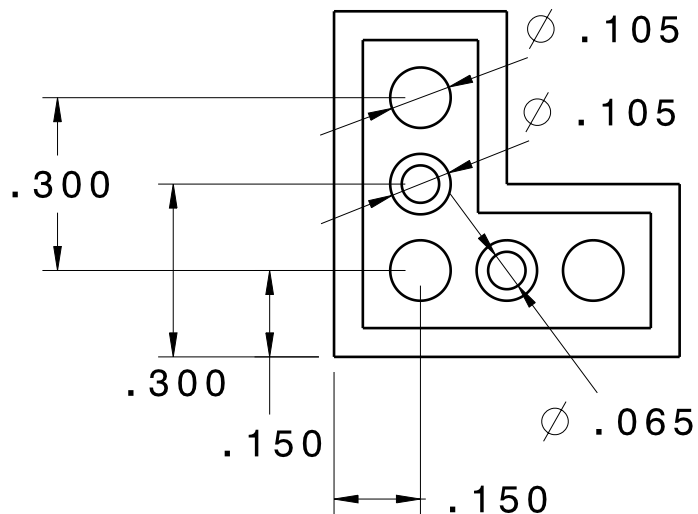
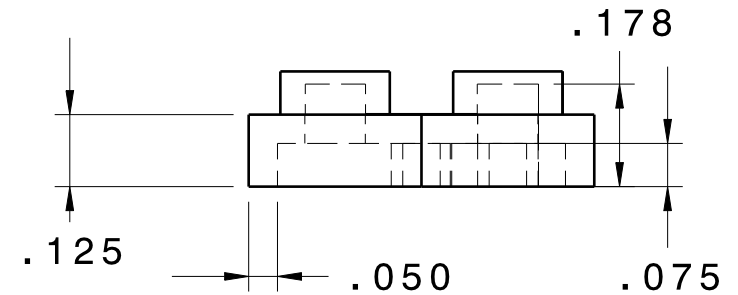
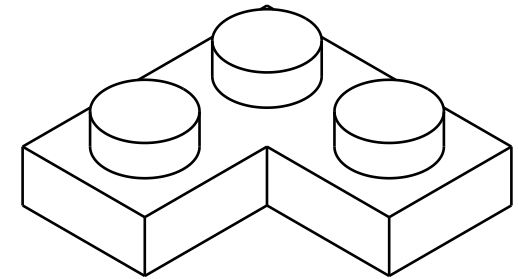
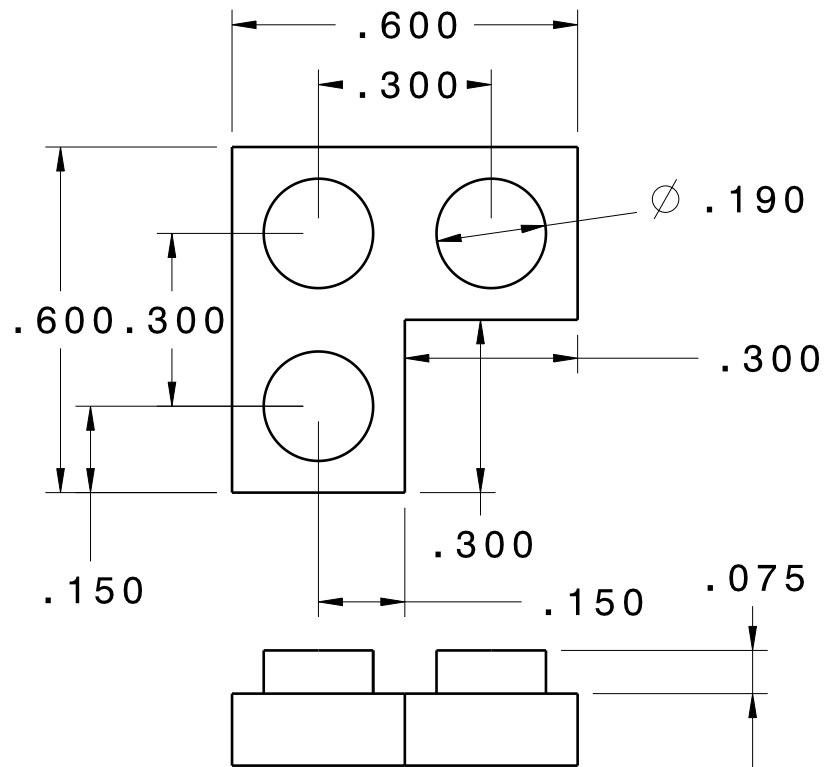


Front view
Scale: 5:1

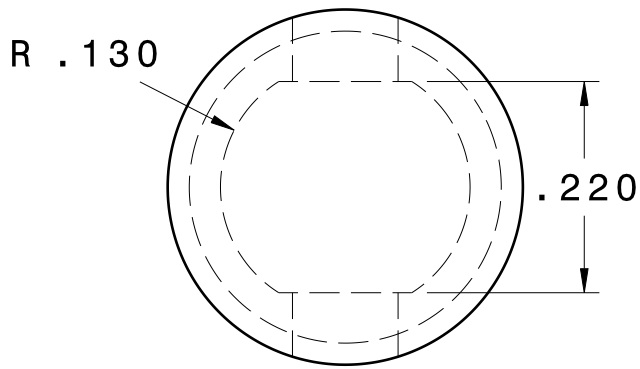


Right view
Scale: 5:1

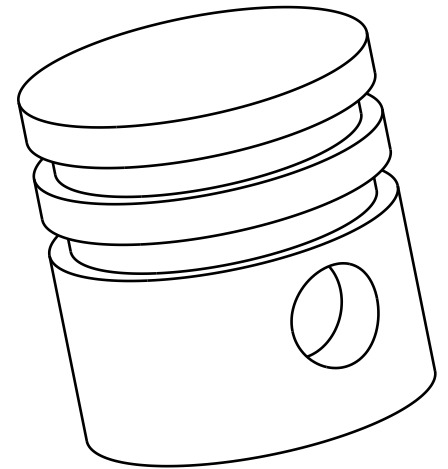
DIMENISONS ARE IN INCHES				<h1>Gray Pin</h1>
<i>THIRD ANGLE PROJECTION</i>		MATERIAL:		
DEFAULT LINEAR TOLERANCES:	DEFAULT ANGULAR TOLERANCES:	DESCRIPTION:		UNIVERSITY OF IDAHO ME DEPARTMENT
X. +/- .25 X.X +/- .1 X.XX +/- .01 X.XXX +/- .002	X. +/- 2 X.X +/- 1 X.XX +/- 0 30'	DRAWN BY: SPH	DATE:	
PROPRIETARY AND CONFIDENTIAL THE INFORMATION CONTAINED IN THIS DRAWING IS THE SOLE PROPERTY OF THE UNIVERSITY OF IDAHO ME DEPARTMENT. ANY REPRODUCTION IN PART OR AS A WHOLE WITHOUT THE WRITTEN PERMISSION OF THE UNIVERSITY OF IDAHO IS PROHIBITED.		CHECKED BY:	DATE:	
		FILE NAME: GREY PIN	CAD APPLICATION: CATIA v5	PART #: QUANTITY: 2
		SCALE 5:1	SHEET # of #	



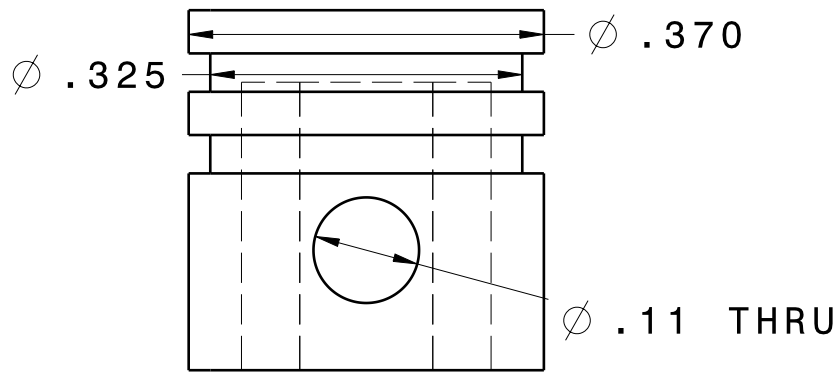
DIMENSIONS ARE IN INCHES		<h1>L Block</h1>	
<i>THIRD ANGLE PROJECTION</i>			
MATERIAL:		UNIVERSITY OF IDAHO ME DEPARTMENT	
DESCRIPTION:			
DEFAULT LINEAR TOLERANCES:	DEFAULT ANGULAR TOLERANCES:	DRAWN BY:	DATE:
X. +/- .25 X.X +/- .1 X.XX +/- .01 X.XXX +/- .002	X. +/- 2 X.X +/- 1 X.XX +/- 0 30'	CHECKED BY:	DATE:
PROPRIETARY AND CONFIDENTIAL THE INFORMATION CONTAINED IN THIS DRAWING IS THE SOLE PROPERTY OF THE UNIVERSITY OF IDAHO ME DEPARTMENT. ANY REPRODUCTION IN PART OR AS A WHOLE WITHOUT THE WRITTEN PERMISSION OF THE UNIVERSITY OF IDAHO IS PROHIBITED.		FILE NAME:	PART #:
		CAD APPLICATION: CATIA v5	SCALE 3:1
		QUANTITY: 2	SHEET # of #



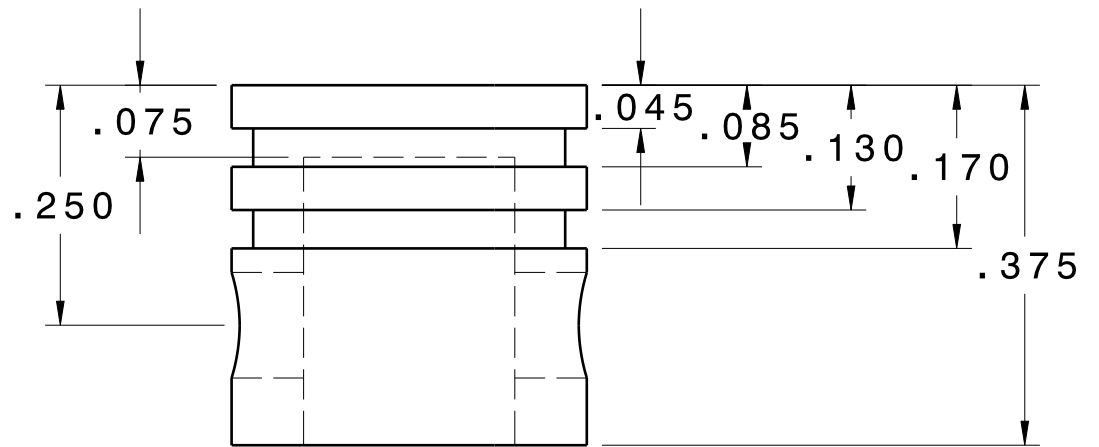
Top view
Scale: 5:1



Isometric view
Scale: 5:1



Front view
Scale: 5:1



Right view
Scale: 5:1

DIMENISONS ARE IN INCHES		Piston	
<i>THIRD ANGLE PROJECTION</i>			
DEFAULT LINEAR TOLERANCES:	DEFAULT ANGULAR TOLERANCES:	MATERIAL:	
X. +/- .25	X. +/- 2	DESCRIPTION:	
X.X +/- .1	X.X +/- 1	DRAWN BY: SPH	DATE:
X.XX +/- .01	X.XX +/- 0 30'	UNIVERSITY OF IDAHO ME DEPARTMENT	
X.XXX +/- .002		CHECKED BY:	DATE:
PROPRIETARY AND CONFIDENTIAL THE INFORMATION CONTAINED IN THIS DRAWING IS THE SOLE PROPERTY OF THE UNIVERSITY OF IDAHO ME DEPARTMENT. ANY REPRODUCTION IN PART OR AS A WHOLE WITHOUT THE WRITTEN PERMISSION OF THE UNIVERSITY OF IDAHO IS PROHIBITED.		FILE NAME: PISTON	PART #: _____
		CAD APPLICATION: CATIA v5	QUANTITY: 2
		SCALE 5:1	SHEET # of #