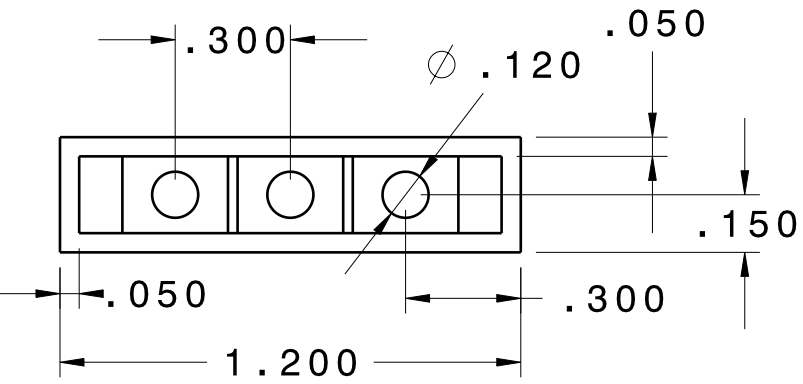
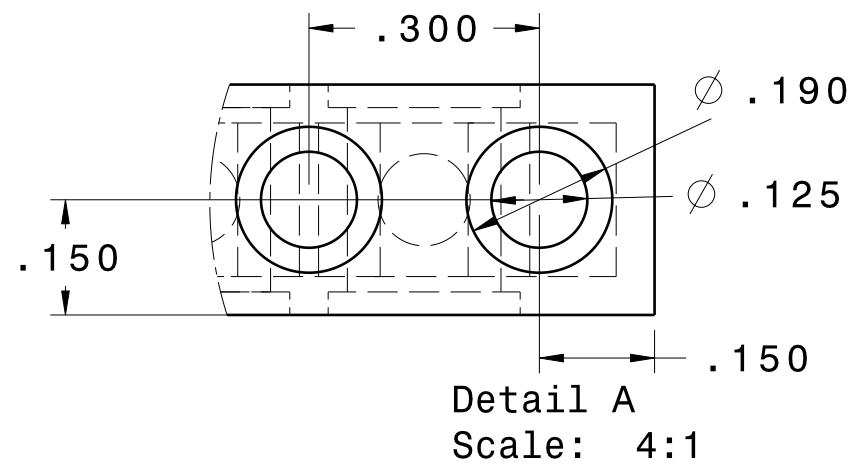
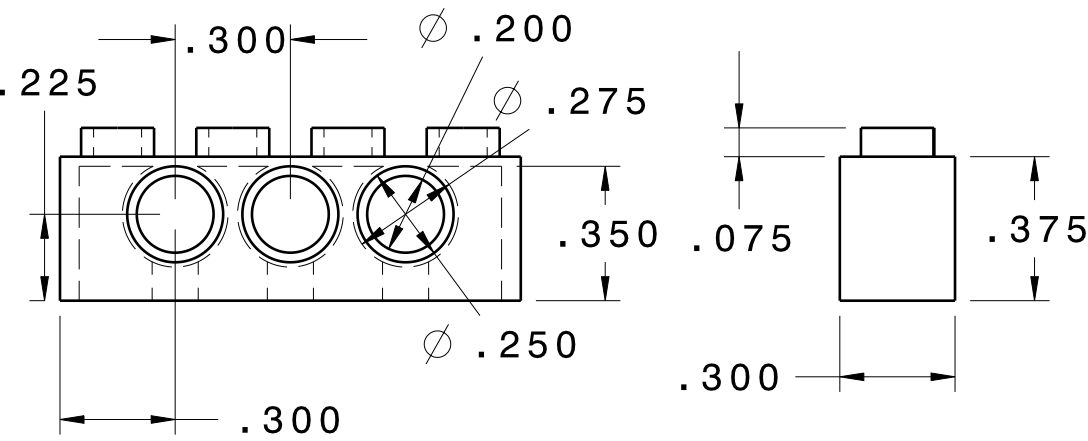
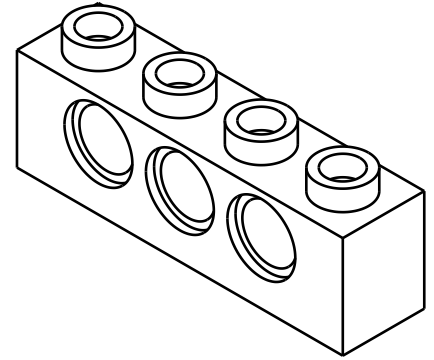
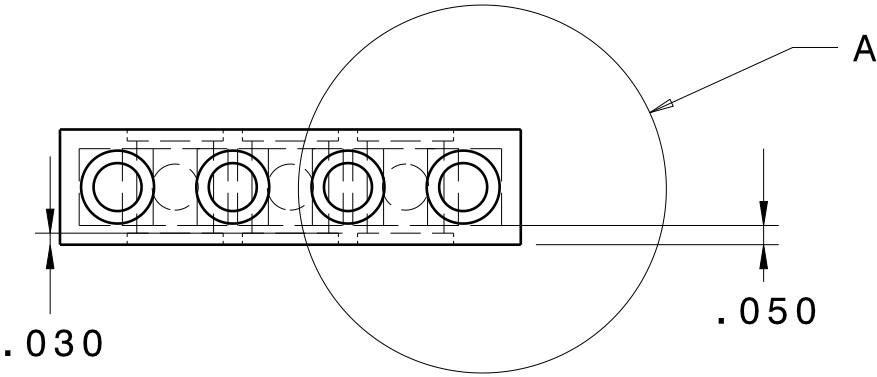
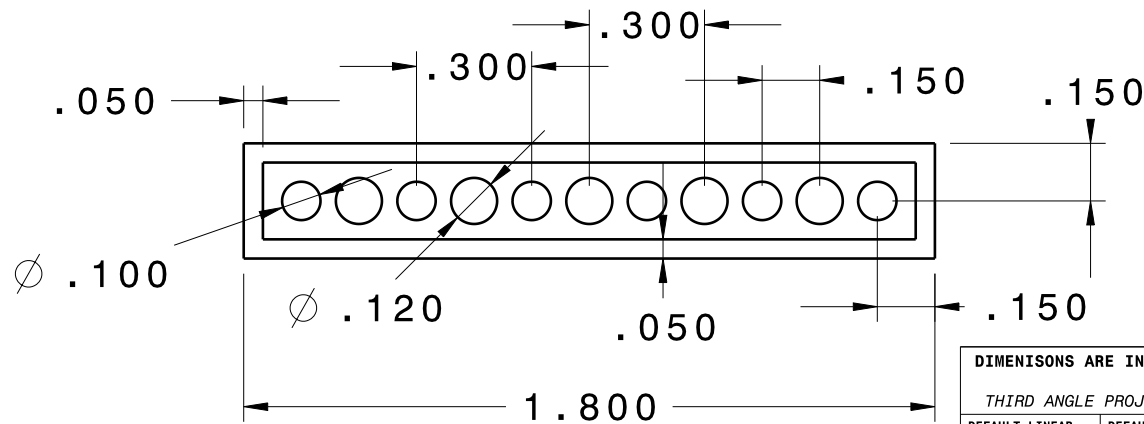
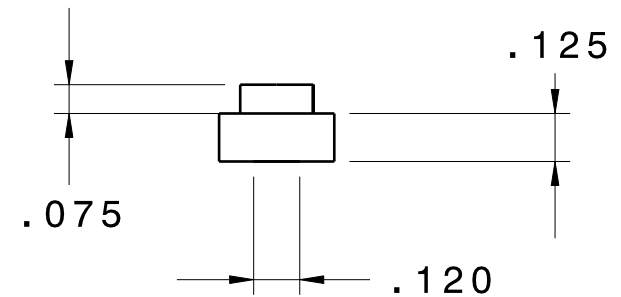
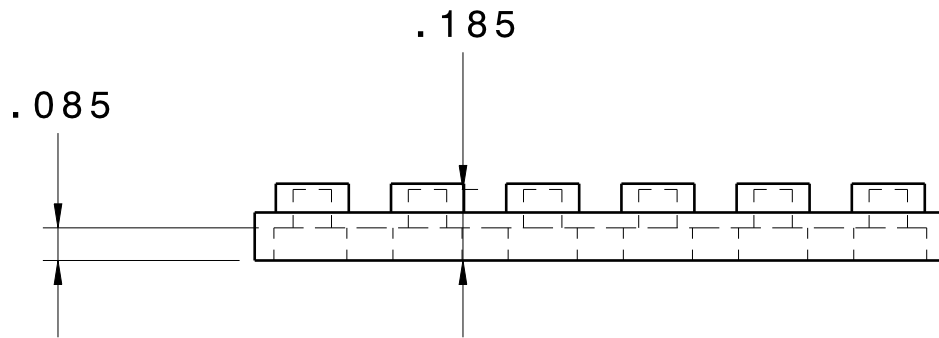
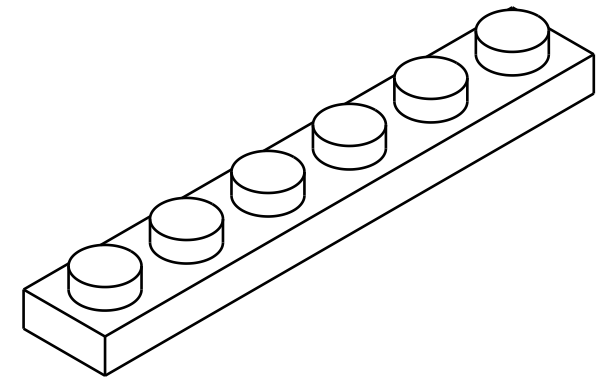
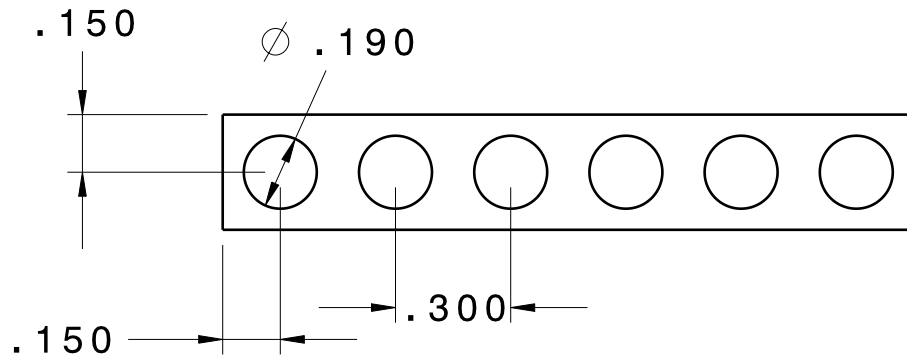


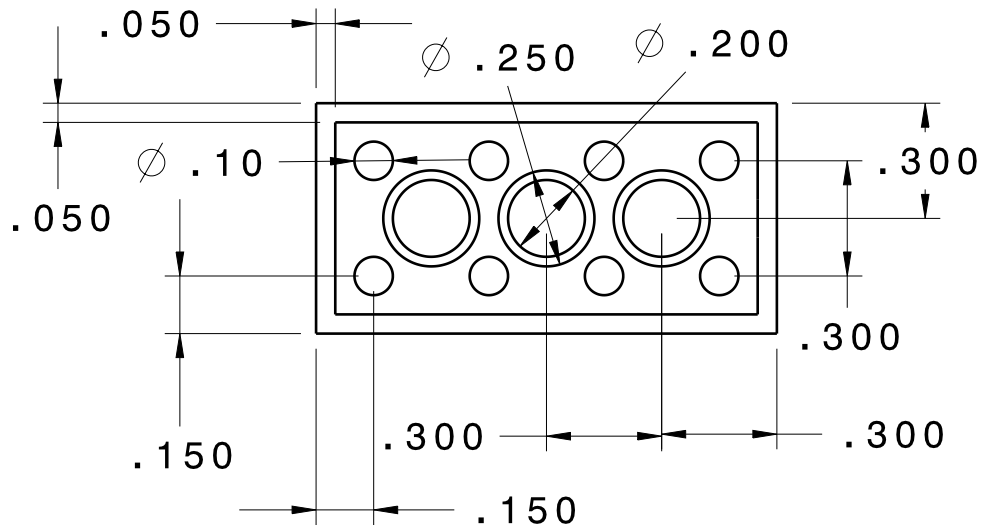
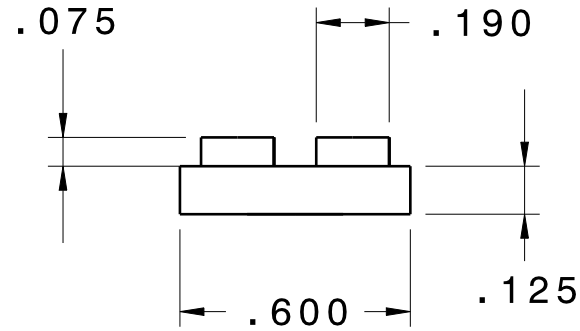
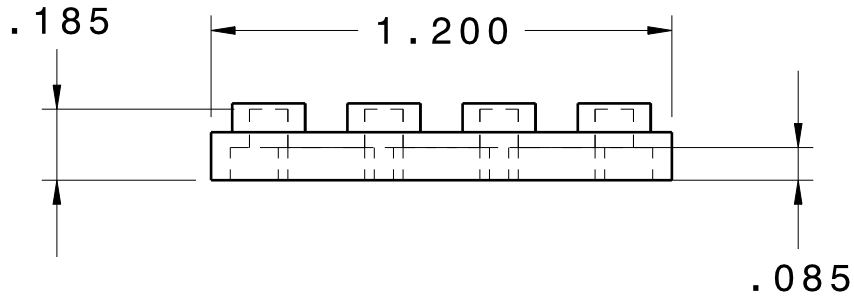
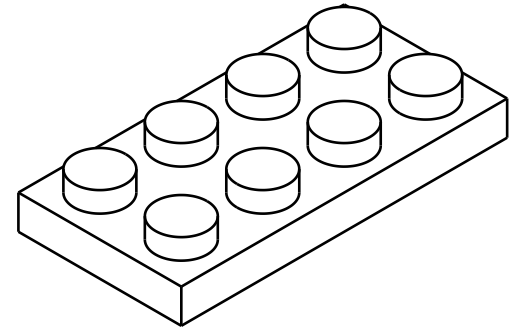
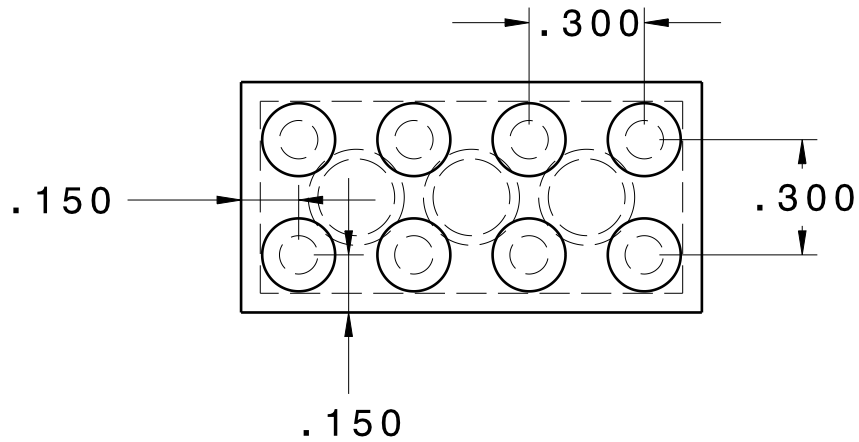
DIMENISONS ARE IN INCHES		1x1x4 Cube			
<i>THIRD ANGLE PROJECTION</i>				MATERIAL:	
DEFAULT LINEAR TOLERANCES:	DEFAULT ANGULAR TOLERANCES:	DESCRIPTION:			
X. +/- .25	X. +/- 2	DRAWN BY:	DATE:		
X.X +/- .1	X.X +/- 1	UNIVERSITY OF IDAHO ME DEPARTMENT			
X.XX +/- .01	X.XX +/- 0 30'				
X.XXX +/- .002		CHECKED BY:	DATE:		
PROPRIETARY AND CONFIDENTIAL THE INFORMATION CONTAINED IN THIS DRAWING IS THE SOLE PROPERTY OF THE UNIVERSITY OF IDAHO ME DEPARTMENT. ANY REPRODUCTION IN PART OR AS A WHOLE WITHOUT THE WRITTEN PERMISSION OF THE UNIVERSITY OF IDAHO IS PROHIBITED.		FILE NAME:	PART #:	QUANTITY: 4	
		CAD APPLICATION: CATIA v5		SCALE 4:1	SHEET # of #



DIMENSIONS ARE IN INCHES		1x4x4 Brick	
<i>THIRD ANGLE PROJECTION</i>			
MATERIAL:		UNIVERSITY OF IDAHO ME DEPARTMENT	
DESCRIPTION:			
DEFAULT LINEAR TOLERANCES:	DEFAULT ANGULAR TOLERANCES:	DRAWN BY:	DATE:
X. +/- .25	X. +/- 2	CHECKED BY:	DATE:
X.X +/- .1	X.X +/- 1	FILE NAME:	PART #:
X.XX +/- .01	X.XX +/- 0.30'	CAD APPLICATION: CATIA V5	SCALE 2:1
X.XXX +/- .002			QUANTITY: 4
PROPRIETARY AND CONFIDENTIAL THE INFORMATION CONTAINED IN THIS DRAWING IS THE SOLE PROPERTY OF THE UNIVERSITY OF IDAHO ME DEPARTMENT. ANY REPRODUCTION IN PART OR AS A WHOLE WITHOUT THE WRITTEN PERMISSION OF THE UNIVERSITY OF IDAHO IS PROHIBITED.			SHEET # of #



DIMENSIONS ARE IN INCHES				1x6x1 Block	
<i>THIRD ANGLE PROJECTION</i>		MATERIAL:			
DEFAULT LINEAR TOLERANCES:	DEFAULT ANGULAR TOLERANCES:	DESCRIPTION:		UNIVERSITY OF IDAHO ME DEPARTMENT	
X. +/- .25 X.X +/- .1 X.XX +/- .01 X.XXX +/- .002	X. +/- 2 X.X +/- 1 X.XX +/- 0.30'	DRAWN BY:	DATE:		
PROPRIETARY AND CONFIDENTIAL THE INFORMATION CONTAINED IN THIS DRAWING IS THE SOLE PROPERTY OF THE UNIVERSITY OF IDAHO ME DEPARTMENT. ANY REPRODUCTION IN PART OR AS A WHOLE WITHOUT THE WRITTEN PERMISSION OF THE UNIVERSITY OF IDAHO IS PROHIBITED.		CHECKED BY:	DATE:	PART #:	QUANTITY: 2
		FILE NAME:		SCALE 2:1	SHEET # of #
		CAD APPLICATION: CATIA V5			



DIMENSIONS ARE IN INCHES		2x4x1 Brick	
<i>THIRD ANGLE PROJECTION</i>			
MATERIAL: DESCRIPTION: DRAWN BY: DATE: CHECKED BY: DATE:		UNIVERSITY OF IDAHO ME DEPARTMENT	
FILE NAME: PART #: QUANTITY: 1 CAD APPLICATION: CATIA v5 SCALE 2:1 SHEET # of #			
<small> PROPRIETARY AND CONFIDENTIAL THE INFORMATION CONTAINED IN THIS DRAWING IS THE SOLE PROPERTY OF THE UNIVERSITY OF IDAHO ME DEPARTMENT. ANY REPRODUCTION IN PART OR AS A WHOLE WITHOUT THE WRITTEN PERMISSION OF THE UNIVERSITY OF IDAHO IS PROHIBITED. </small>			