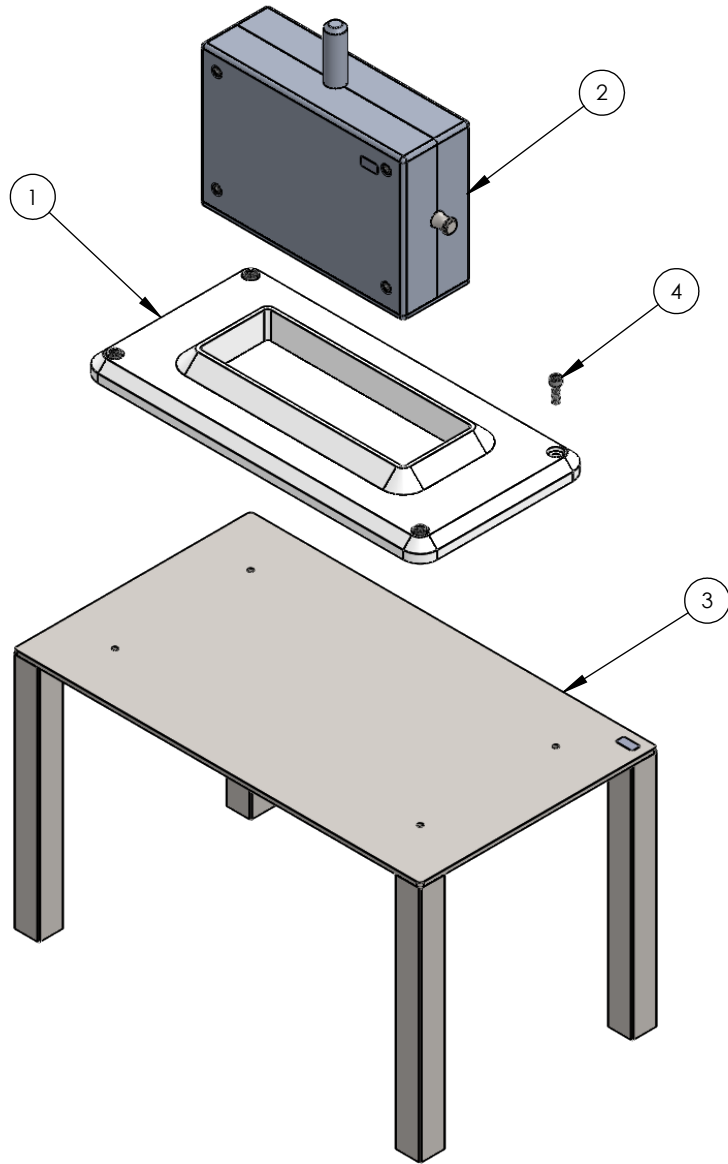


ITEM NO	PART NUMBER	DESCRIPTION	VENDOR	VENDORN0	REV	QTY.
1	00-01_BT	BOX MOUNT			B	1
2	01-00_BT	BOX			A	1
3	02-00_BT	TABLE			A	1
4	SHCS 8-32 .5IN	SCHS 8-32 .5"	MCMMASTER CARR	90128A194		4

REVISIONS				
Rev	Description	DrawnBy	CheckedBy	Date
A	Initial Release	TWS	RN	6/1/20



PROPRIETARY AND CONFIDENTIAL THE INFORMATION CONTAINED IN THIS DRAWING IS THE SOLE PROPERTY OF UNIVERSITY OF IDAHO, ME DEPARTMENT. ANY REPRODUCTION IN PART OR AS A WHOLE WITHOUT THE WRITTEN PERMISSION OF UNIVERSITY OF IDAHO, ME DEPARTMENT IS PROHIBITED.	DIMENSIONS ARE IN INCHES THIRD ANGLE PROJECTION	PROJECT TITLE: Block Table
	DESCRIPTION: BLOCK TABLE ASSEMBLY	UNIVERSITY OF IDAHO ME DEPARTMENT
DEFAULT TOLERANCES: LINEAR: X. ± .25 X.X ± .1 X.XX ± .01 X.XXX ± .002	ANGULAR: X. ± 2 X.X ± 1 X.XX ± 0 30'	SHEET: 1 OF 1 SCALE: 1:4
FILE NAME/PART NUMBER: 00-00_BT		REVISION: A