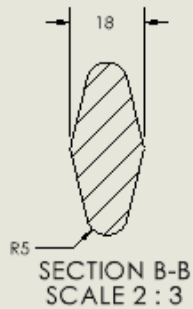
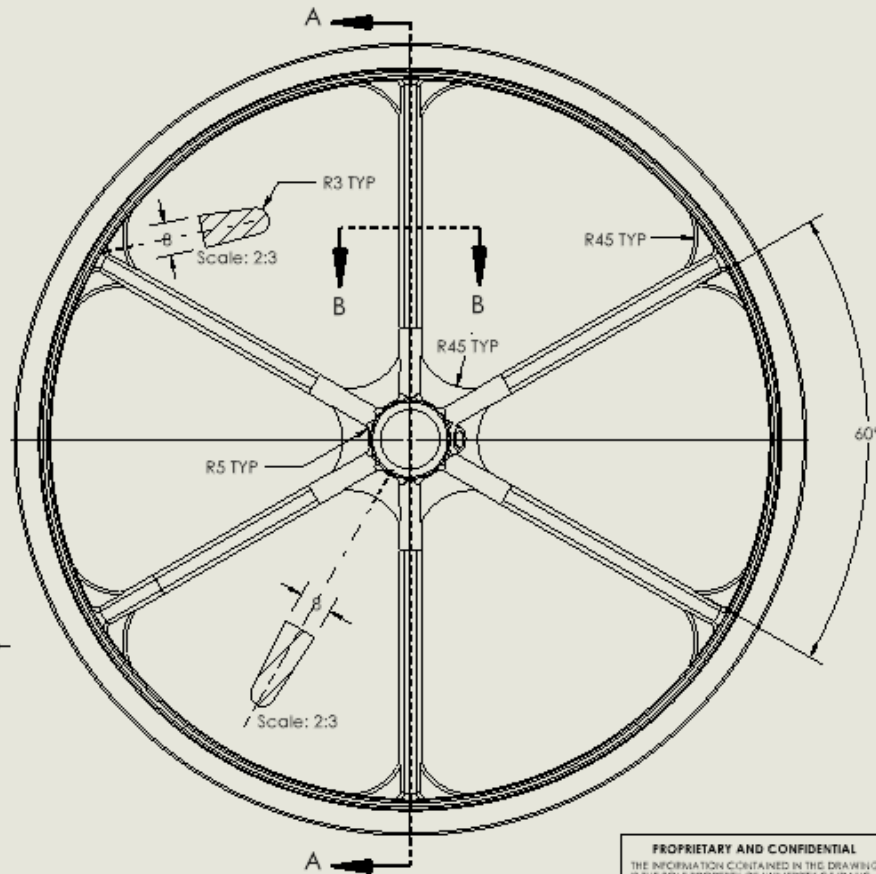


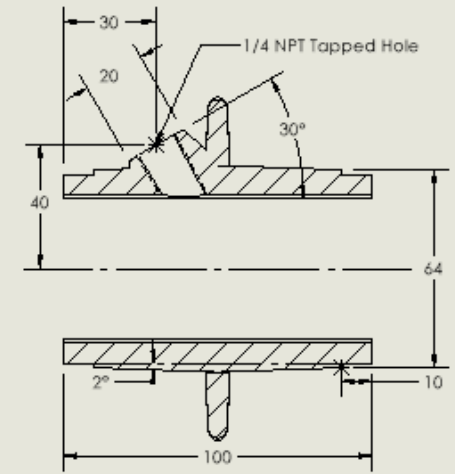
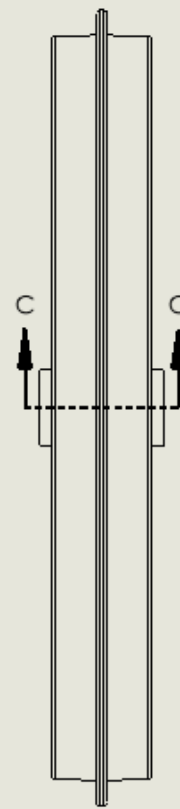
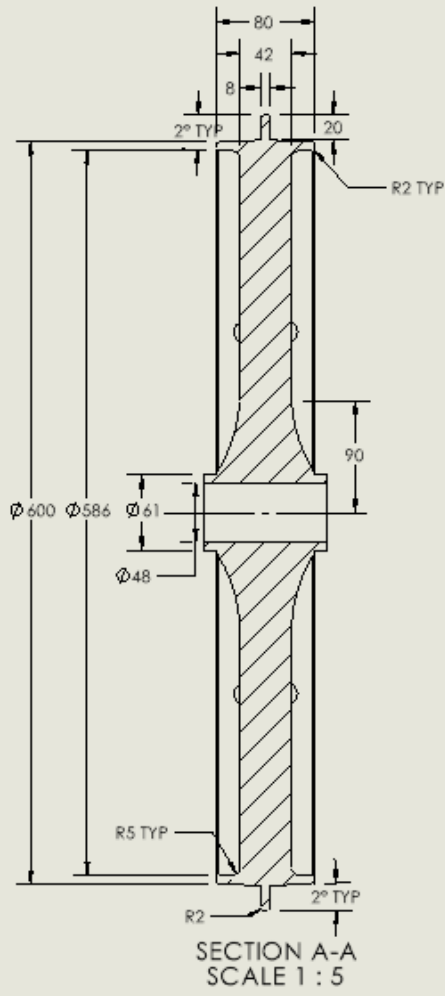
| ITEM NO | PART NUMBER | DESCRIPTION              | MATERIAL       | VENDOR | VENDORN0 | REV |
|---------|-------------|--------------------------|----------------|--------|----------|-----|
| 1       | 01          | 1946 Front Tractor Wheel | Gray Cast Iron |        |          | A   |

| REVISIONS |                 |         |           |            |
|-----------|-----------------|---------|-----------|------------|
| Rev       | Description     | DrawnBy | CheckedBy | Date       |
| A         | Initial Release | EH      | TP        | 10/12/2023 |



NOTES:  
1.

|   |  |  |  |  |  |
|---|--|--|--|--|--|
| <b>PROPRIETARY AND CONFIDENTIAL</b><br>THE INFORMATION CONTAINED IN THIS DRAWING IS THE SOLE PROPERTY OF UNIVERSITY OF IDAHO, ME DEPARTMENT. ANY REPRODUCTION IN PART OR AS A WHOLE WITHOUT THE WRITTEN PERMISSION OF UNIVERSITY OF IDAHO, ME DEPARTMENT IS PROHIBITED. |  | DIMENSIONS ARE IN MILLIMETERS<br>THIRD ANGLE PROJECTION    |  | PROJECT TITLE:<br><b>HW10 Mini Project</b> |  |
| DEFAULT TOLERANCES:<br>LINEAR:<br>X, Z ± .25<br>Y, Y ± .1<br>X, XX ± .01<br>X, XX ± .002  |  | DESCRIPTION: 1946 Front Tractor Wheel<br>REF: MANUFACTURER |  | UNIVERSITY OF IDAHO<br>ME DEPARTMENT       |  |
|   |  | Wheel  |  | SHEET: 1 OF 2<br>SCALE: 1:5<br>DESIGNED: A |  |



|   |  |   |  |   |  |
|---|--|---|--|---|--|
| <b>PROPRIETARY AND CONFIDENTIAL</b><br>THE INFORMATION CONTAINED IN THIS DRAWING IS THE SOLE PROPERTY OF UNIVERSITY OF IDAHO ME DEPARTMENT. ANY REPRODUCTION IN PART OR AS A WHOLE WITHOUT THE WRITTEN PERMISSION OF UNIVERSITY OF IDAHO ME DEPARTMENT IS PROHIBITED. |  | DIMENSIONS ARE IN MILLIMETERS<br>THIRD ANGLE PROJECTION |  | PROJECT TITLE<br><b>HW10 Mini Project</b>                                       |  |
| DEFAULT TOLERANCES:<br>LINEAR:<br>X.±.25<br>X.X±.1<br>X.XX±.01<br>X.XXX±.002  |  | ANGULAR:<br>X.±.2<br>X.X±.1<br>X.XX±0.30                |  | DESCRIPTION: 1946 Front Tractor Wheel<br>FILE NAME/PART NUMBER:<br><b>Wheel</b> |  |
| UNIVERSITY OF IDAHO<br>ME DEPARTMENT  |  |   |  | WHEEL: 2 OF 2<br>SCALE: 1:5<br>SET/SECTION:<br><b>A</b>                         |  |