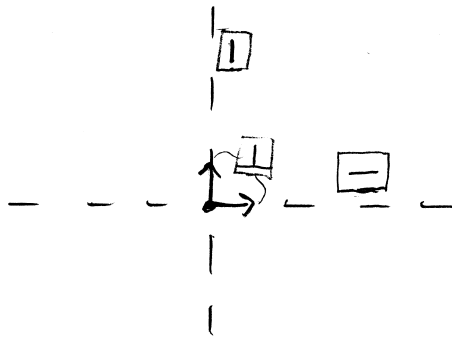


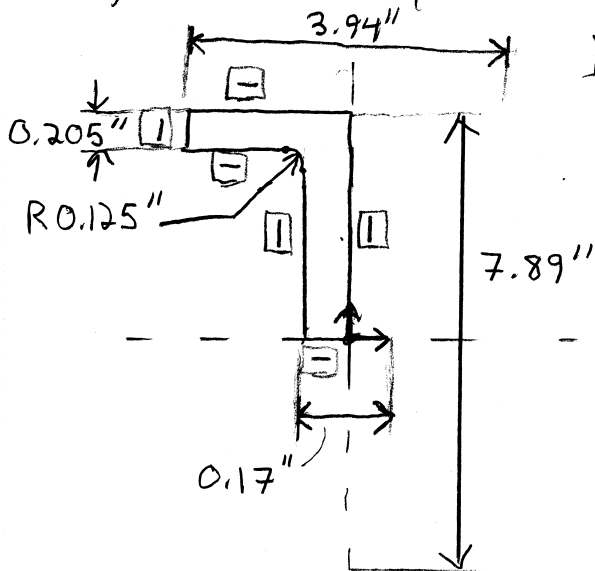
I-beam Pre-CAD ME 301

The goal is to make a W8x10 I-beam extruded to 3"

- 1.) Start on FRONT plane and sketch 2 construction lines coincident w/ origin



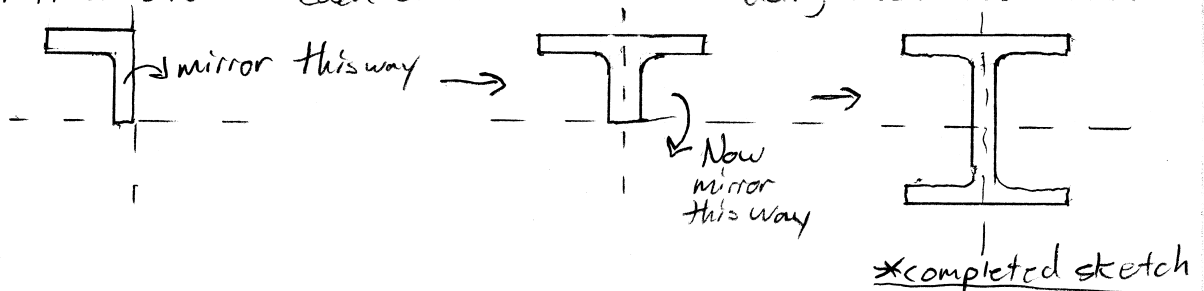
- 2.) Sketch one quarter of the cross-section.



Note: solidworks can show dimensions about a construction line to show full width of the beam.

* Drawings not to scale

- 3.) Mirror around each construction line using the mirror tool



- 4.) Extrude sketch to 3"

